



Operator's Manual

Serial Number Range

GS-1530	from GS3010A-110000
GS-1930	from GS3010A-110000
GS-2032	from GS3211A-110000
GS-2632	from GS3211A-110000
GS-3232	from GS3211A-110000
GS-2046	from GS4612A-110000
GS-2646	from GS4612A-110000
GS-3246	from GS4612A-110000
GS-4047	from GS4714D-317

ANSI/CSA
North America
South America
Asia

with
Maintenance
Information

Sixth Edition
Ninth Printing
Part No. T107026

Important

Read, understand and obey these safety rules and operating instructions before operating this machine. Only trained and authorized personnel shall be permitted to operate this machine. This manual should be considered a permanent part of your machine and should remain with the machine at all times. If you have any questions, contact us.

Contact Us:

Internet: www.genielift.com

E-mail: awp.techpub@terex.com

Contents

Introduction	1
Symbol and Hazard Pictorials Definitions.....	3
General Safety	5
Personal Safety.....	10
Work Area Safety.....	11
Legend	20
Controls.....	23
Inspections.....	28
Operating Instructions.....	54
Transport and Lifting Instructions	67
Maintenance	72
Specifications.....	74

Copyright © 1997 Terex Corporation

Sixth Edition: Ninth Printing, December 2014

Genie is a registered trademark of Terex South Dakota, Inc. in the U.S.A. and many other countries. "GS" is a trademark of Terex South Dakota, Inc.

These machines comply with
ANSI/SIA A92.6
CAN B.354.2



Introduction

Owners, Users and Operators:

Thank you for choosing our machine for your application. Our number one priority is user safety, which is best achieved by our joint efforts. We feel that you make a major contribution to safety if you, as the equipment users and operators:

- 1 **Comply** with employer, job site and governmental rules.
- 2 **Read, understand and follow** the instructions in this and other manuals supplied with this machine.
- 3 **Use good safe work practices** in a commonsense way.
- 4 **Only have trained/certified operators**, directed by informed and knowledgeable supervision, running the machine.



Danger

Failure to obey the instructions and safety rules in this manual will result in death or serious injury.

Do Not Operate Unless:

- You learn and practice the principles of safe machine operation contained in this operator's manual.
 - 1 **Avoid hazardous situations.**
Know and understand the safety rules before going on to the next section.
 - 2 Always perform a pre-operation inspection.
 - 3 Always perform function tests prior to use.
 - 4 Inspect the workplace.
 - 5 Only use the machine as it was intended.
- You read, understand and obey the manufacturer's instructions and safety rules—safety and operator's manuals and machine decals.
- You read, understand and obey employer's safety rules and worksite regulations.
- You read, understand and obey all applicable governmental regulations.
- You are properly trained to safely operate the machine.

Introduction

Hazard Classification

Decals on this machine use symbols, color coding and signal words to identify the following:



Safety alert symbol—used to alert you to potential personal injury hazards. Obey all safety messages that follow this symbol to avoid possible injury or death.

⚠ DANGER

Indicates a hazardous situation which, if not avoided, will result in death or serious injury.

⚠ WARNING

Indicates a hazardous situation which, if not avoided, could result in death or serious injury.

⚠ CAUTION

Indicates a hazardous situation which, if not avoided, could result in minor or moderate injury.

NOTICE

Indicates a property damage message.

Intended Use

This machine is intended to be used only to lift personnel, along with their tools and materials to an aerial work site.

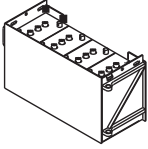


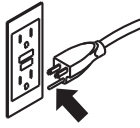


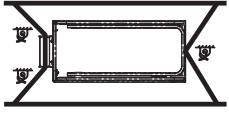



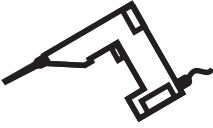
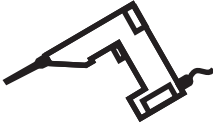


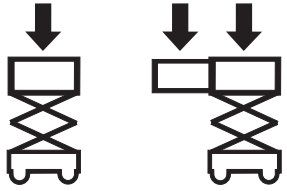
Safety Sign Maintenance

Replace any missing or damaged safety signs. Keep operator safety in mind at all times. Use mild soap and water to clean safety signs. Do not use solvent-based cleaners because they may damage the safety sign material.

Symbol and Hazard Pictorials Definitions

				
Read the operator's manual	Read the service manual	Crush hazard	Crush hazard	Collision hazard
				
Tip-over hazard	Tip-over hazard	Tip-over hazard	Tip-over hazard	Electrocution hazard
				
Electrocution hazard	Explosion hazard	Fire hazard	Burn hazard	Skin injection hazard
				
Engage safety arm	Keep away from moving parts	Keep clear of outriggers and tires	Move machine to level ground	Close chassis tray
				
Lower the platform	Do not set up where it cannot be leveled with outriggers	Maintain required clearance	Only trained maintenance personnel should access compartments	Use a piece of cardboard or paper to search for leaks

Symbol and Hazard Pictorials Definitions

 <p>Batteries used as counterweights</p>	 <p>Chock the wheels</p>	 <p>Release brakes</p>	 <p>Grounded AC 3-wire only</p>	 <p>Replace damaged wires and cords</p>
 <p>Wheel load</p>	 <p>Transport diagram</p>	 <p>Tiedown</p>	 <p>Lanyard anchorage points</p>	 <p>No smoking</p>
 <p>Voltage rating for power to platform</p>	 <p>Pressure rating for air line to platform</p>	 <p>Side force</p>	 <p>Wind speed</p>	
 <p>Maximum capacity</p>				

General Safety

114386

⚠ **DANGER**

Failure to read, understand and obey the operator's manual and the following safety rules will result in death or serious injury.


Improper Use Hazard
The operator is responsible for safe machine operation. This includes:

- 1 Avoid hazardous situations.
- 2 Always perform a pre-operation inspection.
- 3 Always perform function tests prior to use.
- 4 Inspect work place.
- 5 Only use the machine as it was intended.

Do not operate unless:
 You read, understand and obey:
 - manufacturer's instructions and safety rules—safety and operator's manuals and decals
 - employer's safety rules
 - applicable governmental regulations

You are properly trained to safely operate this machine

Electrocution Hazards



This machine is not electrically insulated and will not provide protection from contact with or proximity to electrical current.

Line voltage	Required clearance	
0 to 50KV	10 ft	3.05 m
50KV to 200KV	15 ft	4.60 m
200KV to 350KV	20 ft	6.10 m
350KV to 500KV	25 ft	7.62 m
500KV to 750KV	35 ft	10.67 m
750KV to 1000KV	45 ft	13.72 m

Explosion Hazards

Do not start engine if you smell or detect liquid petroleum gas (LPG), gasoline, diesel fuel or other explosive substances.




Do not refuel the machine with the engine running.

Tip-over Hazards

Do not exceed rated load capacity.

Do not raise platform unless machine is on a firm surface. Avoid drop-offs, holes and unstable or slippery surfaces.

Do not drive machine on a slope that exceeds the maximum slope or side slope rating for the machine.

Models without outriggers:
 Do not raise platform unless machine is on a level surface.

Models with outriggers:
 Do not raise platform unless machine is level.

Do not raise platform when wind speeds may exceed 28 mph / 12.5 m/s. Do not operate machine in strong or gusty winds. Do not increase surface area of platform or load. Increasing area exposed to wind will decrease machine stability.

Do not drive the machine on or near uneven terrain, unstable surfaces or other hazardous conditions with the platform raised.

Do not push off or pull toward any object outside of the platform.

Do not place or attach overhanging loads to any part of this machine.

Use extreme care and slow speeds while driving the machine in stowed position across uneven terrain, debris, unstable or slippery surfaces and near holes and drop-offs.

Do not alter or disable machine components that in any way affect safety and stability.

Do not place ladders or scaffolds in platform or against any part of this machine.

Do not use machine on a moving or mobile surface or vehicle.

Be sure all tires are in good condition, castle nuts are properly tightened and cotter pins are properly installed.

Fall Hazards

Do not sit, stand or climb on the platform guard rails. Maintain a firm footing on the platform floor at all times.

Do not climb down from the platform when raised.

Attach platform entry chain and close entry gate before operating.

Crushing Hazards

Keep hands and limbs out of scissors. Use common sense and planning when operating machine with controller from ground. Maintain safe distances between operator, machine and fixed objects.

Collision Hazards

Be aware of limited sight distance and blind spots when driving or operating.

Check work area for overhead obstructions or other possible hazards.

Be aware of crushing hazard when grasping platform guard rail.

Observe and use color-coded direction arrows on the platform controls for drive and steer functions.

Damaged Machine Hazards

Do not use a damaged or malfunctioning machine. Be sure all maintenance has been performed as specified in the appropriate operator's and service manuals

Be sure all decals are in place and legible.


Be sure safety, operator's and responsibilities manuals are complete, legible and in the storage container located on the platform.

44736

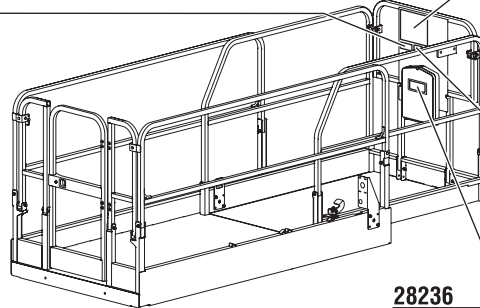
⚠ **DANGER**

Tip-over Hazard

If tilt-alarm sounds, unit is on a severe slope. Death or serious injury could occur.




- 1 Lower the platform.
- 2 Move the machine to level surface.




114359
(GS-3232 only)

⚠ **DANGER**



Do not set machine up where it cannot be leveled using the outriggers.




Read the manual for safe operation of outrigger function.

Tip-over Hazards


Improper use of outriggers will result in death or injury.

28236

⚠ **WARNING**



Improper operation or maintenance can result in serious injury or death.



Read and understand Operator's Manual, Responsibilities Manual and Safety Manual and all safety signs before using or maintaining machine.

If you do not understand the information in the manuals, consult your supervisor, the owner or the manufacturer.

General Safety

44255

⚠ DANGER

Crushing Hazard
Death or serious injury will result in death or serious injury.

Keep away from moving parts.

114385

⚠ DANGER

Electrocution Hazard
Death or injury can result from contacting electric power lines. Always contact the electric power line owner. The electric power shall be disconnected or the power lines moved or insulated before machine operations begin.

Line Voltage	Required Clearance
0 to 50kV	10 ft — 3.05 m
50kV to 200kV	15 ft — 4.57 m
200kV to 350kV	20 ft — 6.10 m
350kV to 500kV	25 ft — 7.62 m
500kV to 750kV	35 ft — 10.67 m
750kV to 1000kV	40 ft — 12.19 m

31508

⚠ DANGER

Electrocution / Fire Hazard
Death or serious injury will result from use of improper or damaged cord and outlet.

Connect charger to a grounded AC 3-wire electrical outlet only. Before each use, inspect for damaged cord, cables and wires. Replace damaged items before operating.

82506 (GS-3232 models only)

⚠ WARNING

Crushing hazard.
Lowering the outriggers or tires onto a person's foot can result in serious injury.

Keep clear of outriggers and tires before lowering.

72853

⚠ DANGER Failure to read, understand and obey the safety rules will result in death or serious injury.

The operator is responsible for safe machine operation. This includes:

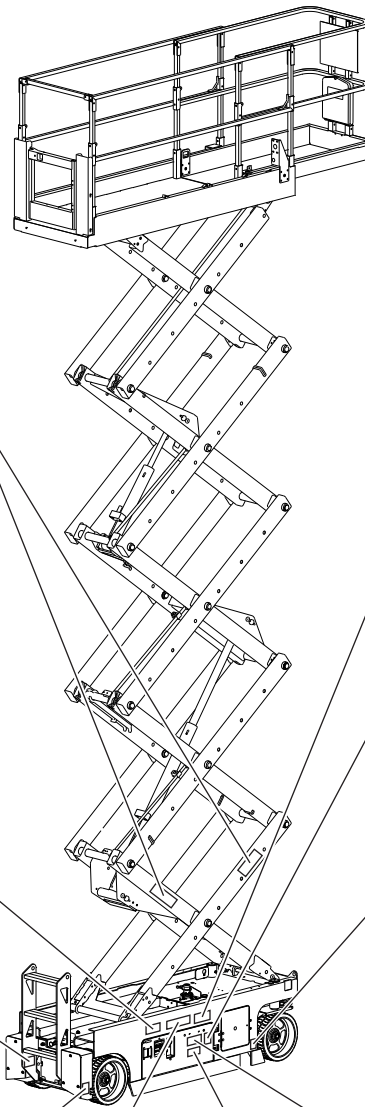
1. Avoid hazardous situations.
2. Always perform a pre-operation inspection.
3. Always perform function tests prior to use.
4. Inspect the work place.
5. Only use the machine as it was intended.

You do not operate unless:

You read, understand and obey:

- manufacturer's instructions and safety rules — safety and operator's manuals and decals
- employer's safety rules
- applicable governmental regulations

You are properly trained to safely operate this machine.



82561

⚠ DANGER

Crushing Hazard
Death or serious injury can result from contact with moving scissor arms.

Engage safety arm before performing maintenance or repair.

See service manual.

82558

⚠ WARNING

Injection Hazard
Escaping fluid under pressure can penetrate skin, causing serious injury.

Relieve pressure before disconnecting hydraulic lines. Keep away from leaks and pin holes. Use a piece of cardboard or paper to search for leaks. Do not use hand.

Fluid injected into skin must be surgically removed within a few hours by a doctor familiar with this type of injury or gangrene will result.

82506 (GS-3232 models only)

⚠ WARNING

Crushing hazard.
Lowering the outriggers or tires onto a person's foot can result in serious injury.

Keep clear of outriggers and tires before lowering.

28175

⚠ WARNING

Compartment access is restricted.
Contact with components under any cover may result in serious injury.

Only trained maintenance personnel should access compartments. Access by operator is only advised when performing Pre-operation Inspection. All compartments must remain closed and secured during operation.

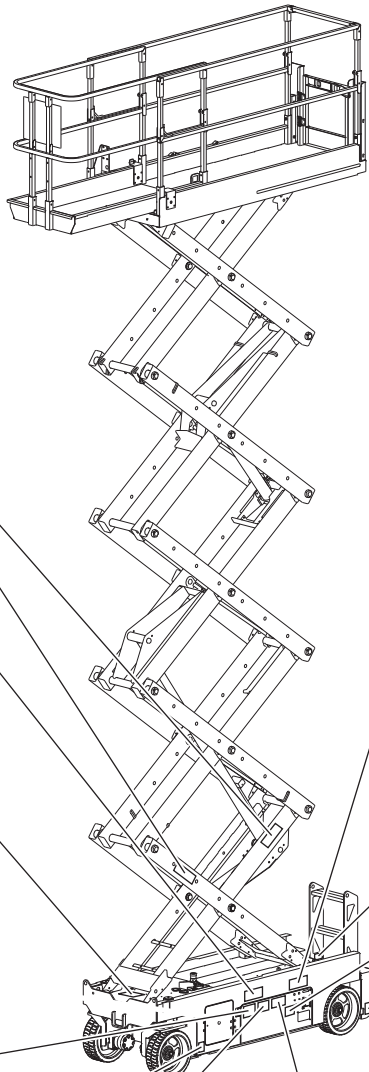
44737

⚠ DANGER

Tip-over hazard.
Raising the platform or driving the machine with chassis trays open will result in death or serious injury.

Close chassis trays before raising the platform or driving the machine.

General Safety



44255

⚠ DANGER

Crushing Hazard
Contact with moving parts will result in death or serious injury.

Keep away from moving parts.

82561

⚠ DANGER

Crushing Hazard
Death or serious injury can result from contact with moving scissor arms.

Engage safety arm before performing maintenance or repair.

See service manual.

31060

⚠ DANGER

Tip-over Hazard
Altering or disabling limit switches can result in machine tip-over. Machine tip-over will result in death or serious injury.

Do not alter or disable limit switch(s).

31788

⚠ DANGER

Explosion / Burn Hazard
Ignition of explosive gases or contact with corrosive acid will cause death, burns or blindness.

Keep all open flames and sparks away. Wear personal protective equipment, including face shields, gloves and lung sleeve shirt.

READ MANUALS
Read all manuals prior to operation.

DO NOT OPERATE equipment if you do not understand the information in the manuals.

Consult your supervisor, the owner or the manufacturer.

82506
(GS-3232 models only)

⚠ WARNING

Crushing hazard.
Lowering the outriggers or tires onto a person's foot can result in serious injury.

Keep clear of outriggers and tires before lowering.

114360

⚠ DANGER

Tip-over hazard.
Failure to replace batteries with proper weight batteries will result in death or serious injury.

Batteries are used as counterweight and are critical to machine stability. Each battery must weigh 65 lbs / 29.5 kg. Battery box including batteries must weigh a minimum of 335 lbs / 152 kg.

214867
(GS-4047 models only)

⚠ DANGER

Tip-over hazard.
Failure to replace batteries with proper weight batteries will result in death or serious injury.

Batteries are used as counterweight and are critical to machine stability. Each battery must weigh 62 lbs / 27 kg. Battery box including batteries must weigh a minimum of 399 lbs / 181 kg.

44737

⚠ DANGER

Tip-over hazard.
Raising the platform or driving the machine with chassis trays open will result in death or serious injury.

Close chassis trays before raising the platform or driving the machine.

114385

⚠ DANGER

Electrocution Hazard
Death or injury can result from contacting electric power lines. Always contact the electric power line owner. The electric power shall be disconnected or the power lines moved or insulated before machine operations begin.

Line voltage	Required clearance
0 to 50KV	10 ft / 3.05 m
50KV to 200KV	15 ft / 4.57 m
200KV to 350KV	20 ft / 6.10 m
350KV to 500KV	25 ft / 7.62 m
500KV to 750KV	35 ft / 10.67 m
750KV to 1000KV	45 ft / 13.72 m

T107029

⚠ DANGER

Collision Hazard
Failure to secure machine before releasing brakes will result in death or serious injury.

- 1 Make sure machine is on a firm, level surface or secured.
- 2 Chock wheels.
- 3 Release brakes.

INSTRUCTIONS

Brake Release Operation

- 1 Check wheels to prevent machine from rolling.
- 2 Be sure winch line is properly secured to brake chock tie points and path is clear of all obstructions.
- 3 Push in black brake release knob to open brake valve.
- 4 Pump red brake release pump knob.

After machine is loaded:

- 1 Check wheels to prevent machine from rolling.
- 2 Press and hold the diverter function enable switch on the control handle. Move the control handle off center and immediately release it to reset the brakes.

31508

⚠ DANGER

Electrocution / Fire Hazard
Death or serious injury will result from use of improper or damaged cord and outlet.

Connect charger to a grounded AC 3-wire electrical outlet only.

Before each use, inspect for damaged cord, cables and wires. Replace damaged items before operating.

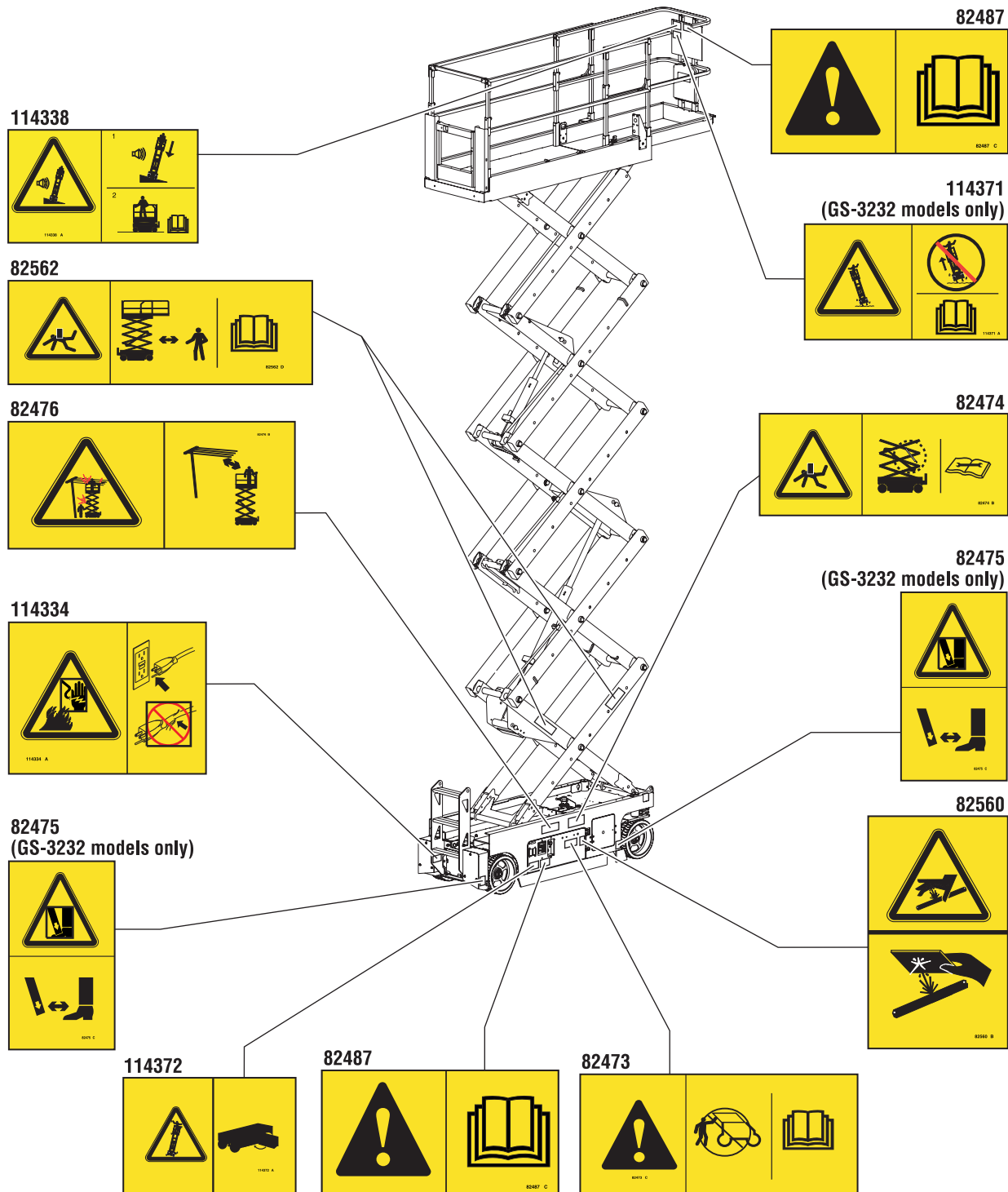
82506
(GS-3232 models only)

⚠ WARNING

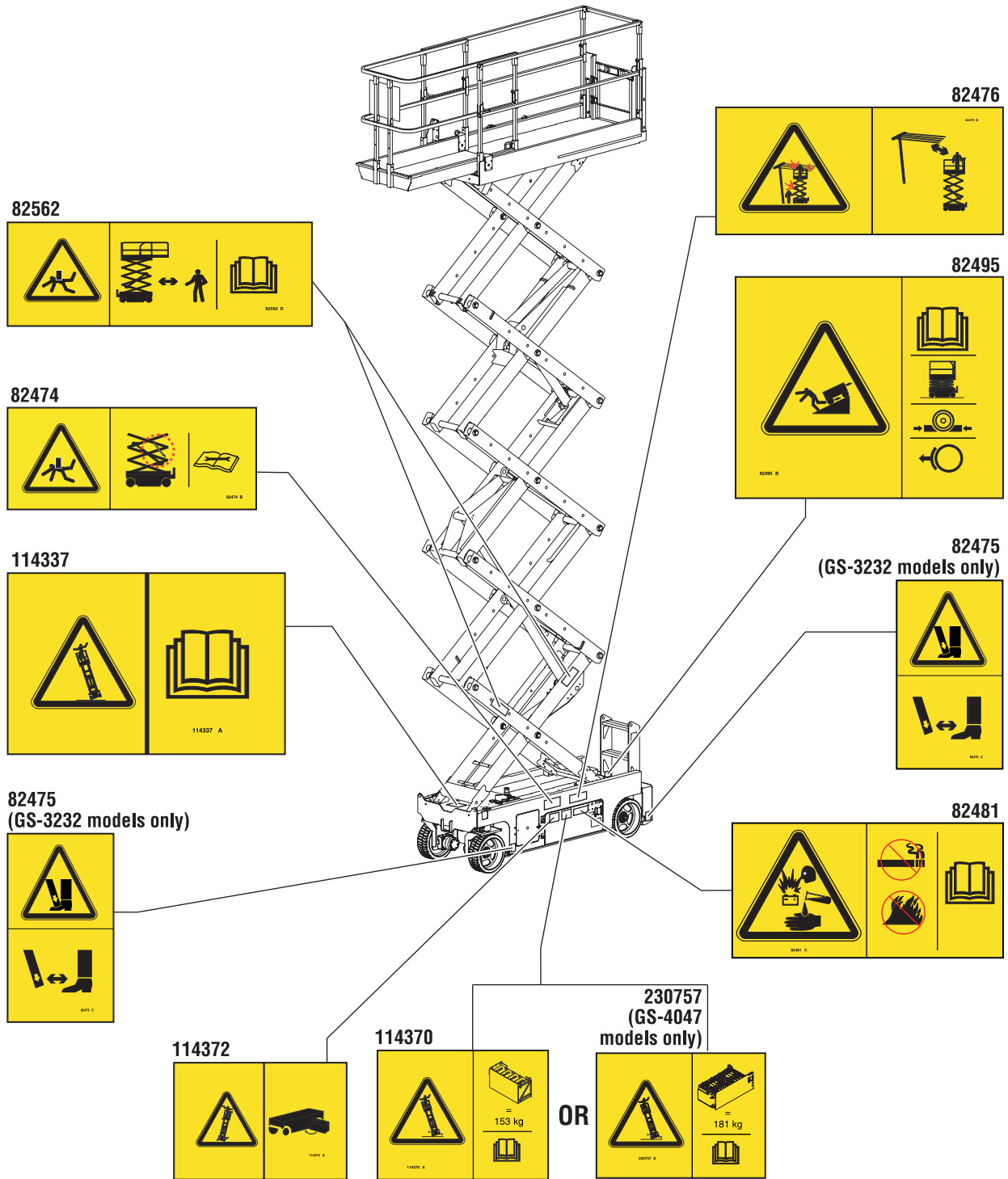
Crushing hazard.
Lowering the outriggers or tires onto a person's foot can result in serious injury.

Keep clear of outriggers and tires before lowering.

General Safety



General Safety



Personal Safety

Personal Fall Protection

Personal fall protection equipment (PFPE) is not required when operating this machine. If PFPE is required by job site or employer rules, the following shall apply:

All PFPE must comply with applicable governmental regulations and must be inspected and used in accordance with the manufacturer's instructions.

Work Area Safety

⚠ Electrocuting Hazards

This machine is not electrically insulated and will not provide protection from contact with or proximity to electrical current.



Obey all local and governmental regulations regarding required clearance from electrical power lines. At a minimum, the required clearance contained in the chart below must be followed.

Line Voltage	Required Clearance	
0 to 50KV	10 ft	3.05 m
50 to 200KV	15 ft	4.60 m
200 to 350KV	20 ft	6.10 m
350 to 500KV	25 ft	7.62 m
500 to 750KV	35 ft	10.67 m
750 to 1000KV	45 ft	13.72 m

Allow for platform movement, electrical line sway or sag, and beware of strong or gusty winds.



Keep away from the machine if it contacts energized power lines. Personnel on the ground or in the platform must not touch or operate the machine until energized power lines are shut off.

Do not operate the machine during lightning or storms.

Do not use the machine as a ground for welding.

⚠ Tip-over Hazards

Occupants, equipment and materials shall not exceed the maximum platform capacity or the maximum platform capacity of the platform extension.

Maximum capacity

Model	Platform extended			Maximum occupants
	Platform retracted	Platform only	Extension only	
GS-1530	600 lbs 272 kg	350 lbs 159 kg	250 lbs 113 kg	2
GS-1930	500 lbs 227 kg	250 lbs 113 kg	250 lbs 113 kg	2
GS-2032	800 lbs 363 kg	550 lbs 249 kg	250 lbs 113 kg	2
GS-2632	500 lbs 227 kg	250 lbs 113 kg	250 lbs 113 kg	2
GS-3232	500 lbs 227 kg	250 lbs 113 kg	250 lbs 113 kg	2
GS-2046	1200 lbs 544 kg	950 lbs 431 kg	250 lbs 113 kg	2
GS-2646	1000 lbs 454 kg	750 lbs 340 kg	250 lbs 113 kg	2
GS-3246	700 lbs 318 kg	450 lbs 204 kg	250 lbs 113 kg	2
GS-4047	550 lbs 250 kg	300 lbs 137 kg	250 lbs 113 kg	2

Platform retracted



Platform extended



Extension only

Platform only

The weight of options and accessories, such as panel carriers, will reduce the rated platform capacity and must be subtracted from the platform capacity. See the decals with the options and accessories.

If using accessories, read, understand and obey the decals, instructions and manuals with the accessory.

Work Area Safety



Do not raise the platform unless the machine is on a firm, level surface.



Do not operate the machine in strong or gusty winds. Do not increase the surface area of the platform or the load. Increasing the area exposed to the wind will decrease machine stability.



Do not depend on the tilt alarm as a level indicator. The tilt alarm sounds on the chassis only when the machine is on a severe slope.

If the tilt alarm sounds:

Lower the platform. Move the machine to a firm, level surface. If the tilt alarm sounds when the platform is raised, use extreme caution to lower the platform.

Do not drive over 0.5 mph / 0.8 km/h with the platform raised.

Do not raise the platform when wind speeds may exceed 28 mph / 12.5 m/s. If wind speeds exceed 28 mph / 12.5 m/s when the platform is raised, lower the platform and do not continue to operate the machine.



Do not drive the machine on or near uneven terrain, unstable surfaces or other hazardous conditions with the platform raised.

Do not use the machine as a crane.

Do not push the machine or other objects with the platform.

Do not contact adjacent structures with the platform.

Do not tie the platform to adjacent structures.

Do not place loads outside the platform perimeter.

Do not operate the machine with the chassis trays open.

Work Area Safety



Do not push off or pull toward any object outside of the platform.

Model	Maximum allowable side force	Maximum occupants
GS-1530	100 lbs / 445 N	2
GS-1930	100 lbs / 445 N	2
GS-2032	120 lbs / 534 N	2
GS-2632	100 lbs / 445 N	2
GS-3232	100 lbs / 445 N	2
GS-2046	200 lbs / 890 N	4
GS-2646	150 lbs / 667 N	3
GS-3246	105 lbs / 467 N	2
GS-4047	105 lbs / 467 N	2

Do not alter or disable the limit switches.

Do not alter or disable machine components that in any way affect safety and stability.

Do not replace items critical to machine stability with items of different weight or specification.

Do not use batteries that weigh less than the original equipment. Batteries are used as counterweight and are critical to machine stability. Each battery must weigh 65 lbs / 29.5 kg. Battery tray including batteries must weigh a minimum of 335 lbs / 152 kg.

For GS-4047 machines, each battery must weigh 82 lbs / 37 kg. Battery tray including batteries must weigh a minimum of 400 lbs / 181 kg.

Do not modify or alter an aerial work platform without prior written permission from the manufacturer. Mounting attachments for holding tools or other materials onto the platform, toeboards or guard rail system can increase the weight in the platform and the surface area of the platform or the load.



Do not place or attach fixed or overhanging loads to any part of this machine.



Do not place ladders or scaffolds in the platform or against any part of this machine.

Do not transport tools and materials unless they are evenly distributed and can be safely handled by person(s) in the platform.

Do not use the machine on a moving or mobile surface or vehicle.

Be sure all tires are in good condition, castle nuts are properly tightened and cotter pins are properly installed.

Work Area Safety

If equipped with outriggers

Do not set the machine up where it cannot be leveled using only the outriggers.

Do not adjust the outriggers while the platform is raised.

Do not drive while the outriggers are lowered.

⚠️ Crushing Hazard

Keep hands and limbs out of scissors.

Keep hands clear when folding rails.

Do not work under the platform or in the scissor links without the safety arm in place.

Use common sense and planning when operating the machine with the controller from the ground. Maintain safe distances between the operator, the machine and fixed objects.

⚠️ Operation on Slopes Hazards

Do not drive the machine on a slope that exceeds the slope and side slope rating of the machine. Slope rating applies to machines in the stowed position.

Model	Maximum slope rating, stowed position	Maximum side slope rating, stowed position
GS-1530	30% (17°)	30% (17°)
GS-1930	25% (14°)	25% (14°)
GS-2032	30% (17°)	30% (17°)
GS-2632	25% (14°)	25% (14°)
GS-3232	25% (14°)	25% (14°)
GS-2046	30% (17°)	30% (17°)
GS-2646	30% (17°)	30% (17°)
GS-3246	25% (14°)	25% (14°)
GS-4047	25% (14°)	25% (14°)

Note: Slope rating is subject to ground conditions and adequate traction.

Work Area Safety

⚠ Fall Hazards

The guard rail system provides fall protection. If occupant(s) of the platform are required to wear personal fall protection equipment (PFPE) due to job site or employer rules, PFPE and its use shall be in accordance with the PFPE manufacturer's instructions and applicable governmental requirements. Use approved lanyard attachment point provided.



Do not sit, stand or climb on the platform guard rails. Maintain a firm footing on the platform floor at all times.



Do not climb down from the platform when raised.

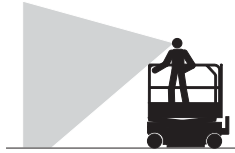
Keep the platform floor clear of debris.

Do not enter or exit the platform unless the machine is in the stowed position.

Attach the platform entry chain or close the entry gate before operating.

Do not operate the machine unless the guard rails are properly installed and the entry is secured for operation.

⚠ Collision Hazards



Be aware of limited sight distance and blind spots when driving or operating.

Be aware of extended platform position when moving the machine.

The machine must be on a level surface or secured before releasing the brakes.

Operators must comply with employer, job site and governmental rules regarding use of personal protective equipment.



Check the work area for overhead obstructions or other possible hazards.



Be aware of crushing hazards when grasping the platform guard rail.

Observe and use color-coded direction arrows on the platform controls and the platform decal plate for drive and steer functions.

Work Area Safety



Do not lower the platform unless the area below is clear of personnel and obstructions.



Limit travel speed according to the condition of the ground surface, congestion, slope, location of personnel, and any other factors which may cause collision.

Do not operate a machine in the path of any crane or moving overhead machinery unless the controls of the crane have been locked out and/or precautions have been taken to prevent any potential collision.

No stunt driving or horseplay while operating a machine.

⚠ Bodily Injury Hazard

Do not operate the machine with a hydraulic oil or air leak. An air leak or hydraulic leak can penetrate and/or burn skin.

Improper contact with components under any cover will cause serious injury. Only trained maintenance personnel should access compartments. Access by the operator is only advised when performing a pre-operation inspection. All compartments must remain closed and secured during operation.

⚠ Explosion and Fire Hazards

Do not operate the machine or charge the battery in hazardous locations or locations where potentially flammable or explosive gases or particles may be present.

Work Area Safety

⚠ Damaged Machine Hazards

Do not use a damaged or malfunctioning machine.

Conduct a thorough pre-operation inspection of the machine and test all functions before each work shift. Immediately tag and remove from service a damaged or malfunctioning machine.

Be sure all maintenance has been performed as specified in this manual and the appropriate Genie service manual.

Be sure all decals are in place and legible.

Be sure the operator's, safety and responsibilities manuals are complete, legible and in the storage container located on the machine.

⚠ Component Damage Hazards

Do not use any battery charger greater than 24V to charge the batteries.

Do not use the machine as a ground for welding.

⚠ Battery Safety

Burn Hazards

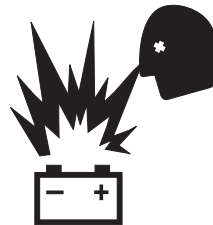


Batteries contain acid. Always wear protective clothing and eye wear when working with batteries.

Avoid spilling or contacting battery acid. Neutralize battery acid spills with baking soda and water.

Do not expose the batteries or the charger to water or rain during charging.

Explosion Hazards



Keep sparks, flames and lighted tobacco away from batteries. Batteries emit explosive gas.

The battery tray should remain open during the entire charging cycle.



Do not contact the battery terminals or the cable clamps with tools that may cause sparks.



Component Damage Hazard

Do not use any battery charger greater than 24V to charge the batteries.

Work Area Safety

Electrocution/Burn Hazards



Connect the battery charger to a grounded, AC 3-wire electrical outlet only.

Inspect daily for damaged cords, cables and wires. Replace damaged items before operating.

Avoid electrical shock from contact with battery terminals. Remove all rings, watches and other jewelry.

Tip-over Hazard

Do not use batteries that weigh less than the original equipment. Batteries are used as counterweight and are critical to machine stability. Each battery must weigh 65 lbs / 29.5 kg. Battery tray including batteries must weigh a minimum of 335 lbs / 152 kg.

For GS-4047 machines, each battery must weigh 82 lbs / 37 kg. Battery tray including batteries must weigh a minimum of 400 lbs / 181 kg.

Lifting Hazard

Use the appropriate number of people and proper lifting techniques when lifting batteries.

Lockout After Each Use

- 1 Select a safe parking location—firm level surface, clear of obstruction and traffic.
- 2 Lower the platform.
- 3 Turn the key switch to the off position and remove the key to secure from unauthorized use.
- 4 Charge the batteries.

Work Area Safety

⚠ Panel Carrier Safety

Read, understand and obey all warnings and instructions provided with the panel carriers.

Only use the panel carriers on GS-2046 or GS-2646 machines. Panel carriers are not approved for use on any other models.

Use of panel carrier derates the maximum capacity, the maximum number of occupants and the maximum side force.

Do not exceed the derated platform capacity. The combined weight of the panels, occupants, tools and any other equipment must not exceed derated capacity. The maximum capacity of the panel carriers is 160 lbs / 72.6 kg.

When using panel carrier	GS-2046	GS-2646
Derated maximum platform capacity	1180 lbs 535 kg	660 lbs 299 kg
Maximum number of occupants	3	2
Maximum side force	150 lbs 667 N	100 lbs 445 N

Secure the panel carrier components to the machine. Secure the panels to the carriers.

Do not operate unless you are adequately instructed and are aware of all hazards associated with lifting panels.

Keep area below panel carriers clear of personnel.

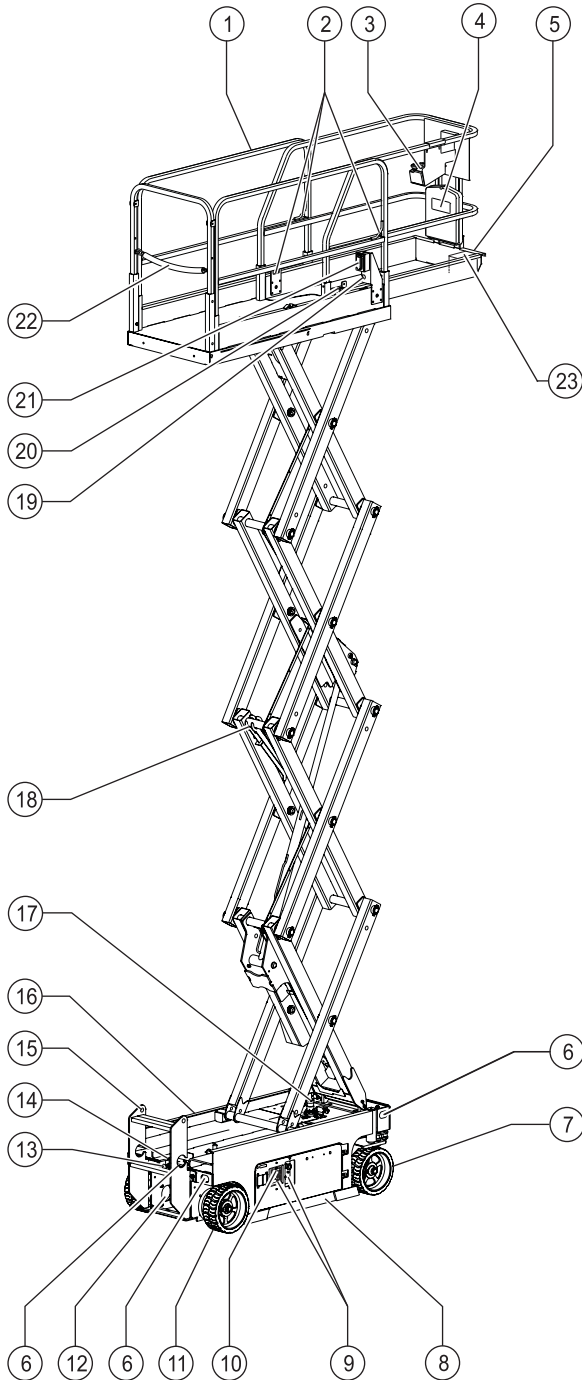
Do not cause a horizontal force or side load to machine by raising or lowering a fixed or overhanging load.

Maximum vertical height of panels: 4 ft / 1.2 m

Maximum panel area: 32 sq ft / 3 m²

Legend

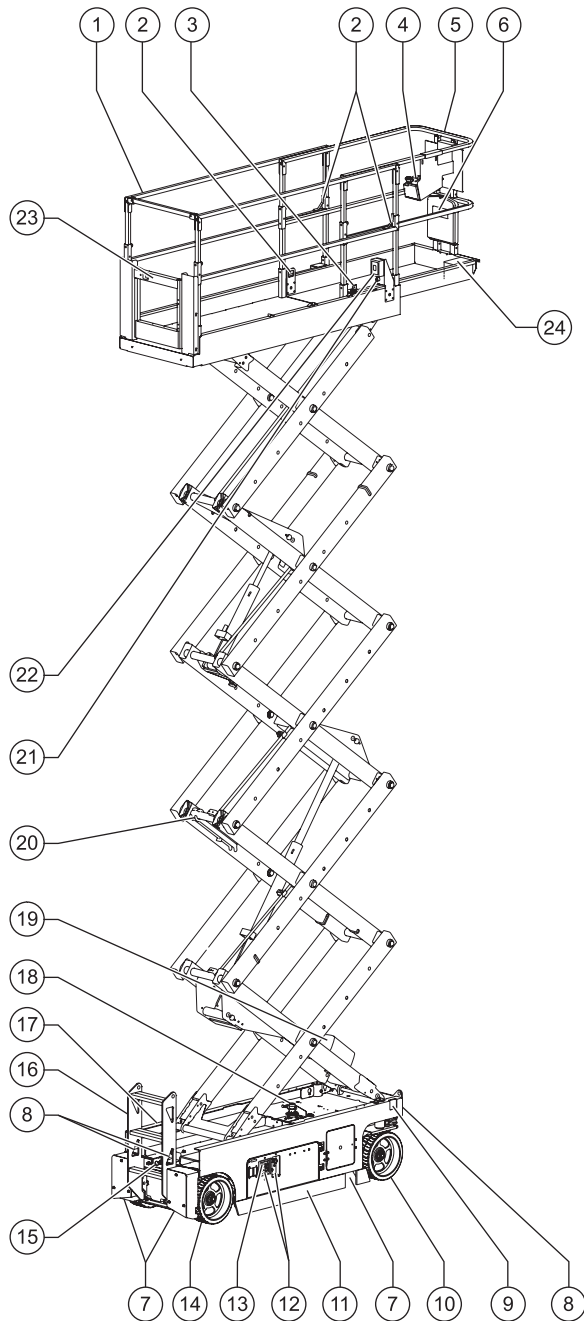
GS-1530
GS-1930



- 1 Platform guard rails
- 2 Lanyard anchorage points
- 3 Platform controls
- 4 Manual storage container
- 5 Platform extension
- 6 Transport tie-down
- 7 Steer tire
- 8 Pothole guard
- 9 Ground controls
- 10 LCD readout
- 11 Non-steer tire
- 12 Inverter (optional)
- 13 Brake release pump
- 14 Emergency lowering knob
- 15 Entry ladder / transport tie-down
- 16 Battery charger (on battery side of machine)
- 17 Tilt alarm
- 18 Safety arm
- 19 Air line to platform (optional)
- 20 Platform extension release pedal
- 21 GFCI outlet
- 22 Platform entry chain or gate
- 23 Foot switch (if equipped)

Legend

GS-2032
GS-2632
GS-3232



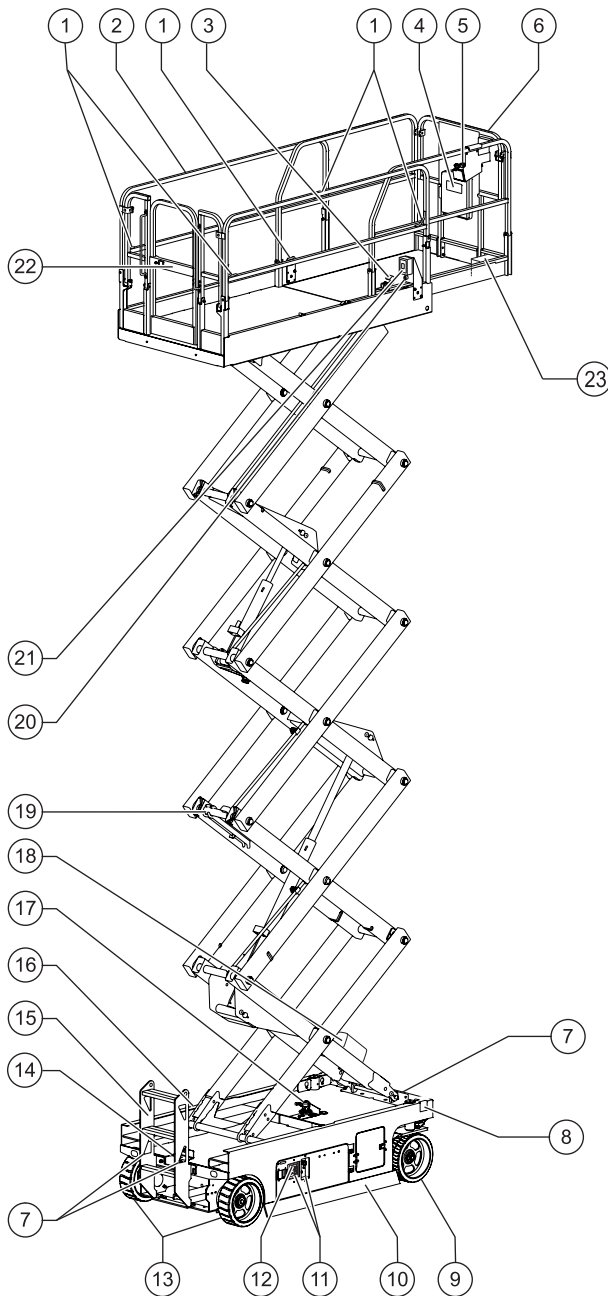
- 1 Platform guard rails
- 2 Lanyard anchorage points
- 3 Platform extension release pedal
- 4 Platform controls
- 5 Platform extension
- 6 Manual storage container
- 7 Outrigger
- 8 Transport tie-down
- 9 Emergency lowering knob
- 10 Steer tire
- 11 Pothole guard
- 12 Ground controls
- 13 LCD readout
- 14 Non-steer tire
- 15 Brake release pump
- 16 Entry ladder / transport tie-down
- 17 Battery charger (on battery side of machine)
- 18 Tilt alarm
- 19 Inverter (optional)
- 20 Safety arm
- 21 Air line to platform (optional)
- 22 GFCI outlet
- 23 Platform entry chain or gate
- 24 Foot switch (if equipped)



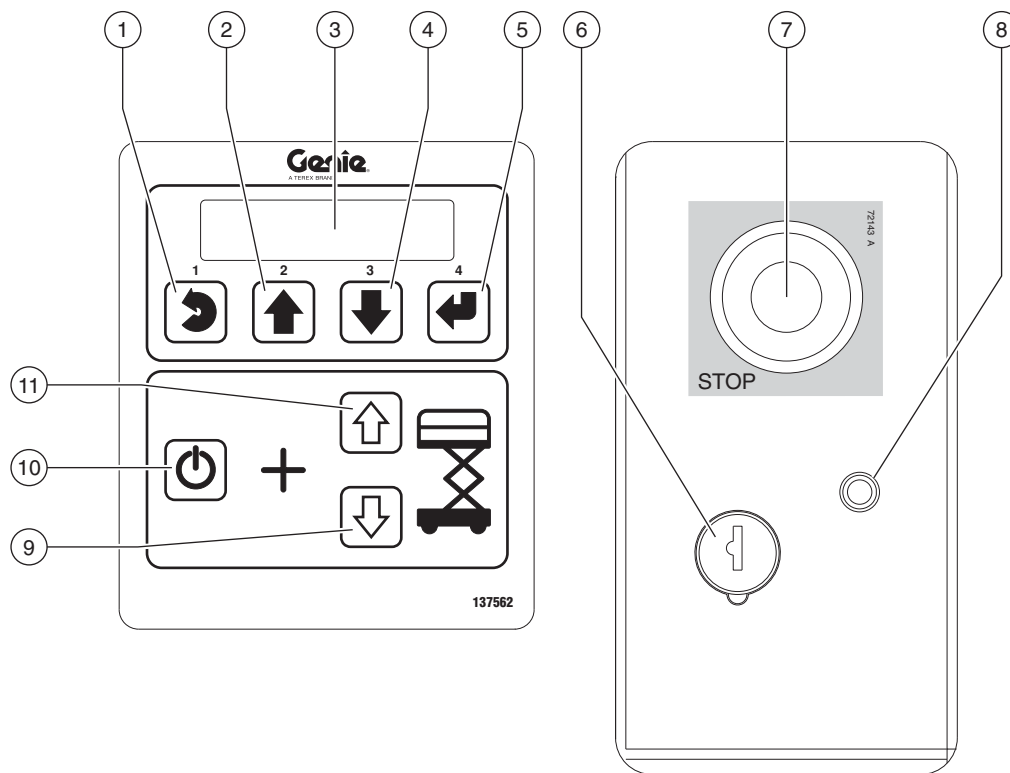
Legend

GS-2046
GS-2646
GS-3246
GS-4047

- 1 Lanyard anchorage points
- 2 Platform guard rails
- 3 Platform extension release pedal
- 4 Manual storage container
- 5 Platform controls
- 6 Platform extension
- 7 Transport tie-down
- 8 Emergency lowering knob
- 9 Steer tire
- 10 Pothole guard
- 11 Ground controls
- 12 LCD readout
- 13 Non-steer tire
- 14 Brake release pump
- 15 Entry ladder / transport tie-down
- 16 Battery charger (on battery side of machine)
- 17 Tilt alarm
- 18 Inverter (optional)
- 19 Safety arm
- 20 Air line to platform (optional)
- 21 GFCI outlet
- 22 Platform entry chain or gate
- 23 Foot switch (if equipped)



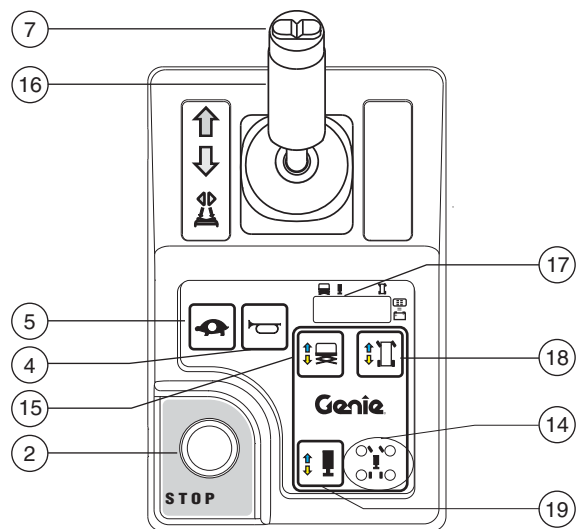
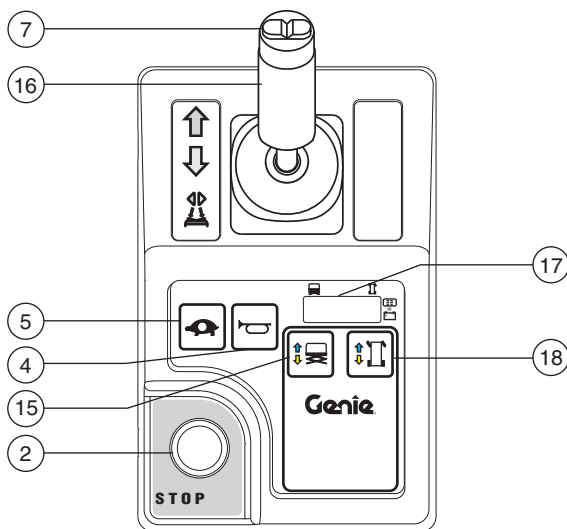
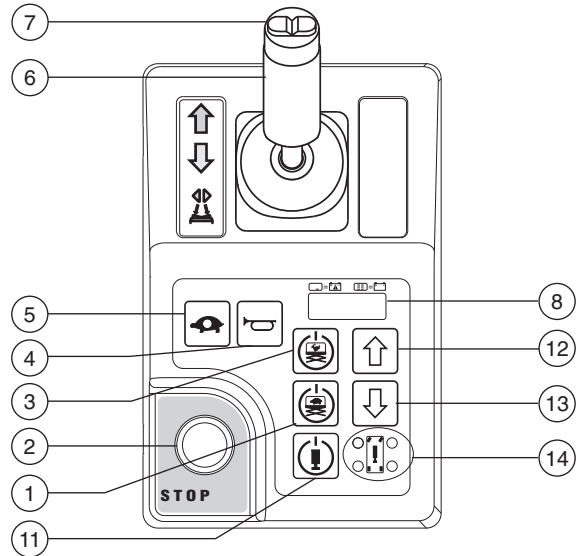
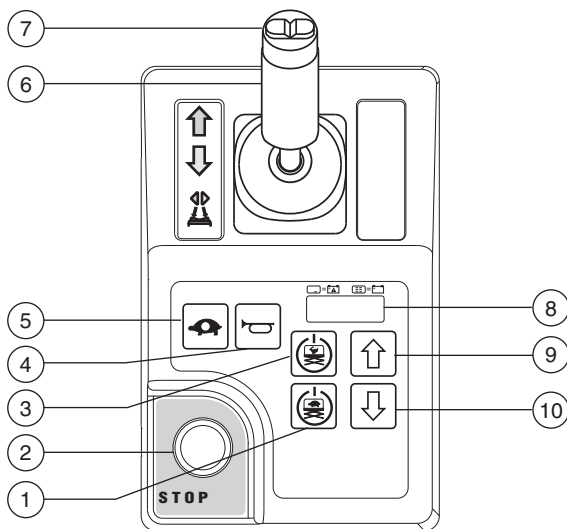
Controls



Ground Control Panel

- | | |
|--|---|
| <ul style="list-style-type: none"> 1 Menu escape button 2 Menu up button 3 LCD diagnostic readout 4 Menu down button 5 Menu enter button 6 Key switch for platform/off/ground selection
Turn the key switch to the platform position and the platform controls will operate. Turn the key switch to the off position and the machine will be off. Turn the key switch to the ground position and the ground controls will operate. | <ul style="list-style-type: none"> 7 Red Emergency Stop button
Push in the red Emergency Stop button to the off position to stop all functions. Pull out the red Emergency Stop button to the on position to operate the machine. 8 7A breaker for electrical circuits 9 Platform down button 10 Lift function enable button
Press and hold this button to activate the lift function. 11 Platform up button |
|--|---|

Controls



Platform Control Panel

- 1 Low speed lift enable button

Press and hold this button to activate the low speed platform function.



- 2 Red Emergency Stop button

Push in the red Emergency Stop button to the off position to stop all functions. Pull out the red Emergency Stop button to the on position to operate the machine.

Controls

3 High speed lift enable button

Press and hold this button to activate the high speed platform function.



4 Horn button

Press the horn button and the horn will sound. Release the horn button and the horn will not sound.



5 Drive speed select button

Press this button to activate the slow drive function. The indicator light will be on when slow drive is selected.



6 Proportional control handle and function enable switch for drive function

Drive function: Press and hold the function enable switch to enable the drive function on the platform control handle. Move the control handle in the direction indicated by the blue arrow on the control panel and the machine will move in the direction that the blue arrow points. Move the control handle in the direction indicated by the yellow arrow on the control panel and the machine will move in the direction that the yellow arrow points.

7 Thumb rocker switch for steer function

Press the left side of the thumb rocker and the machine will turn in the direction the blue triangle points on the platform control panel.



Press the right side of the thumb rocker and the machine will turn in the direction the yellow triangle points on the platform control panel.



8 LED diagnostic readout / battery charge indicator

9 Platform up button

Press and hold the platform up button and the platform will raise.



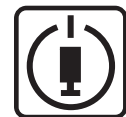
10 Platform down button

Press and hold the platform down button and the platform will lower.



11 Outrigger enable button

Press and hold this button to activate the outrigger function.



Controls

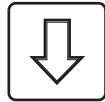
12 Platform up OR outrigger retract button

Press and hold this button and the platform will raise OR the outriggers will retract.



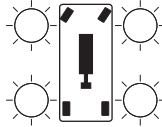
13 Platform down OR outrigger extend button

Press and hold this button and the platform will lower OR the outriggers will extend.



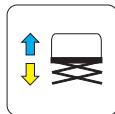
14 Outrigger indicator lights

During outrigger extension, lights flash green. As each outrigger contacts the ground, lights turn solid green. Any time the outrigger extension procedure is interrupted, the lights will flash green indicating the outriggers are not contacting the ground or the outriggers are not fully deployed. During outrigger retraction lights turn solid green. As each outrigger fully retracts, lights turn off. Lights will turn solid red, indicating the corresponding outrigger is at end of stroke.



15 Lift function button

Push this button to activate the lift function.



16 Proportional control handle and function enable switch for drive, steer, lift and outrigger functions

Lift function: Press and hold the function enable switch to enable the lift function on the platform control handle. Move the control handle in the direction indicated by the blue arrow and the platform will raise. Move the control handle in the direction indicated by the yellow arrow and the platform will lower. The descent alarm should sound while the platform is lowering.

Drive function: Press and hold the function enable switch to enable the drive function on the platform control handle. Move the control handle in the direction indicated by the blue arrow on the control panel and the machine will move in the direction that the blue arrow points. Move the control handle in the direction indicated by the yellow arrow on the control panel and the machine will move in the direction that the yellow arrow points.

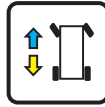
Outrigger function: Press and hold the function enable switch to enable the outrigger function on the platform control handle. Move the control handle in the direction indicated by the blue arrow and the outriggers will retract. Move the control handle in the direction indicated by the yellow arrow and the outriggers will extend.

Controls

17 LED diagnostic readout, battery charge indicator and lift/drive mode indicator

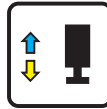
18 Drive function button

Push this button to activate the drive function.



19 Outrigger function button

Press this button to activate the outrigger function.



Inspections



Do Not Operate Unless:

- You learn and practice the principles of safe machine operation contained in this operator's manual.
 - 1 Avoid hazardous situations.
 - 2 Always perform a pre-operation inspection.**
- Know and understand the pre-operation inspection before going on to the next section.**
 - 3 Always perform function tests prior to use.
 - 4 Inspect the workplace.
 - 5 Only use the machine as it was intended.

Pre-operation Inspection Fundamentals

It is the responsibility of the operator to perform a pre-operation inspection and routine maintenance.

The pre-operation inspection is a visual inspection performed by the operator prior to each work shift. The inspection is designed to discover if anything is apparently wrong with a machine before the operator performs the function tests.

The pre-operation inspection also serves to determine if routine maintenance procedures are required. Only routine maintenance items specified in this manual may be performed by the operator.

Refer to the list on the next page and check each of the items.

If damage or any unauthorized variation from factory delivered condition is discovered, the machine must be tagged and removed from service.

Repairs to the machine may only be made by a qualified service technician, according to the manufacturer's specifications. After repairs are completed, the operator must perform a pre-operation inspection again before going on to the function tests.

Scheduled maintenance inspections shall be performed by qualified service technicians, according to the manufacturer's specifications and the requirements listed in the responsibilities manual.

Inspections

Pre-operation Inspection

- Be sure that the operator's, safety and responsibilities manuals are complete, legible and in the storage container located in the platform.
- Be sure that all decals are legible and in place. See Inspections section.
- Check for hydraulic oil leaks and proper oil level. Add oil if needed. See Maintenance section.
- Check for battery fluid leaks and proper fluid level. Add distilled water if needed. See Maintenance section.

Check the following components or areas for damage, improperly installed or missing parts and unauthorized modifications:

- Electrical components, wiring and electrical cables
- Hydraulic hoses, fittings, cylinders and manifolds
- Drive motors
- Wear pads
- Tires and wheels
- Limit switches, alarms and horn
- Alarms and beacons (if equipped)
- Nuts, bolts and other fasteners
- Brake release components
- Safety arm
- Platform extension
- Scissor pins and retaining fasteners
- Platform control joystick

- Outrigger housing and footpads (if equipped)
- Battery pack and connections
- Ground strap
- Platform entry chain or gate
- Pothole guards
- Lanyard anchorage points

Check entire machine for:

- Cracks in welds or structural components
- Dents or damage to machine
- Excessive rust, corrosion or oxidation
- Be sure that all structural and other critical components are present and all associated fasteners and pins are in place and properly tightened.
- Be sure side rails are installed and bolts are fastened.
- Be sure that the chassis trays are closed and latched and the batteries are properly connected.

Note: If the platform must be raised to inspect the machine, make sure the safety arm is in place. See Operating Instructions section.

Inspections



Do Not Operate Unless:

- You learn and practice the principles of safe machine operation contained in this operator's manual.
 - 1 Avoid hazardous situations.
 - 2 Always perform a pre-operation inspection.
 - 3 Always perform function tests prior to use.**

Know and understand the function tests before going on to the next section.

- 4 Inspect the workplace.
- 5 Only use the machine as it was intended.

Function Test Fundamentals

The function tests are designed to discover any malfunctions before the machine is put into service. The operator must follow the step-by-step instructions to test all machine functions.

A malfunctioning machine must never be used. If malfunctions are discovered, the machine must be tagged and removed from service. Repairs to the machine may only be made by a qualified service technician, according to the manufacturer's specifications.

After repairs are completed, the operator must perform a pre-operation inspection and function tests again before putting the machine into service.

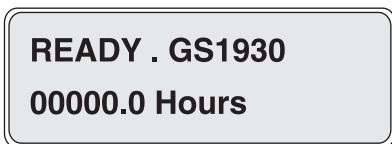
Inspections

At the Ground Controls

- 1 Select a test area that is firm, level and free of obstruction.
 - 2 Be sure the batteries are connected.
 - 3 Pull out the platform and ground red Emergency Stop button to the on position.
 - 4 Turn the key switch to ground control.
 - 5 Observe the diagnostic LED readout on the platform controls.
- ⊙ Result: The LED should look like the picture below.



- 6 Observe the diagnostic LCD readout on the ground controls.
- ⊙ Result: The LCD should display the model and hour meter.



Test Emergency Stop

- 7 Push in the ground red Emergency Stop button to the off position.
- ⊙ Result: No functions should operate.
- 8 Pull out the red Emergency Stop button to the on position.

Test the Up/Down Functions

The audible warnings on this machine and the standard horn all come from the same central alarm. The horn is a constant tone. The descent alarm sounds at 60 beeps per minute. The alarm sounds at 180 beeps per minute when the pothole guards have not deployed and when the machine is not level. An optional automotive-style horn is also available.

- 9 Do not press the lift function enable button.
 - 10 Press the platform up or platform down button.
- ⊙ Result: The lift function should not operate.
- 11 Do not press the platform up or platform down buttons.
 - 12 Press the lift function enable button.
- ⊙ Result: The lift function should not operate.
- 13 Press and hold the lift function enable button, and press the platform up button.
- ⊙ Result: The platform should raise.
- 14 Press and hold the lift function enable button, and press the platform down button.
- ⊙ Result: The platform should lower. The descent alarm should sound while the platform is lowering.

Inspections

Test Emergency Lowering

- 15 Activate the up function by pressing the lift enable button and platform up button, and raise the platform approximately 2 ft. / 60 cm.

16 For GS-30 Models

Pull the emergency lowering knob located behind the entry ladder.

For GS-32, GS-46 and GS-47 Models

Pull the emergency lowering knob located on the ground controls side of the machine, at the steer end.

- ⊙ Result: The platform should lower. The descent alarm will not sound.
- 17 Turn the key switch to platform control.

At the Platform Controls

Test Emergency Stop

- 18 Push in the platform red Emergency Stop button to the off position.

- ⊙ Result: No functions should operate.

Test the Horn

- 19 Pull out the red Emergency Stop button to the on position.

- 20 Press the horn button.

- ⊙ Result: The horn should sound.

Use the button pattern on the platform controls to determine which of these next two function tests to perform.

Use this function test procedure if the decal on your platform controls has these buttons.



Test the Function Enable Switch and the Up/Down Functions

- 21 Do not hold the function enable switch on the control handle.
- 22 Slowly move the control handle in the direction indicated by the blue arrow, then in the direction indicated by the yellow arrow.
- ⊙ Result: No functions should operate.

Inspections

- 23 Do not press the high speed or low speed lift enable buttons.
- 24 Press the platform up or platform down button.
- ⊙ Result: The lift function should not operate.
- 25 Do not press the platform up or platform down buttons.
- 26 Press the high speed or low speed lift enable button.
- ⊙ Result: The lift function should not operate.
- 27 Press and hold the high speed lift enable button.
- Machines equipped with foot switch: Press and hold the foot switch and press and hold the function enable button at the same time.
- 28 Press the platform up button.
- ⊙ Result: The platform should raise. The pothole guards should deploy.
- 29 Release the high speed lift enable button or the platform up button.
- ⊙ Result: The platform should stop raising.
- 30 Press and hold the high speed lift enable button.
- 31 Press the platform down button.
- ⊙ Result: The platform should lower. The descent alarm should sound while the platform is lowering.
- 32 Release the high speed lift enable button or the platform down button.
- ⊙ Result: The platform should stop lowering.
- 33 Press and hold the low speed lift enable button.
- 34 Press the platform up button.
- ⊙ Result: The platform should raise. The pothole guards should deploy.
- 35 Release the low speed lift enable button or the platform up button.
- ⊙ Result: The platform should stop raising.
- 36 Press and hold the low speed lift enable button.
- 37 Press the platform down button.
- ⊙ Result: The platform should lower at the same descent speed as high speed. The descent alarm should sound while the platform is lowering.
- 38 Release the low speed lift enable button or the platform down button.
- ⊙ Result: The platform should stop lowering.

Inspections

Use this function test procedure if the decal on your platform controls has these buttons.



Test the Function Enable Switch and the Up/Down Functions

- 39 Do not hold the function enable switch on the control handle.
- 40 Slowly move the control handle in the direction indicated by the blue arrow, then in the direction indicated by the yellow arrow.
- ⊙ Result: No functions should operate.
- 41 Press the lift function button.
- 42 Wait seven seconds for the lift function to time out.
- 43 Slowly move the control handle in the direction indicated by the blue arrow, then in the direction indicated by the yellow arrow.
- ⊙ Result: The lift function should not operate.
- 44 Press the lift function button.
- 45 Press and hold the function enable switch on the control handle. Slowly move the control handle in the direction indicated by the blue arrow.

Machines equipped with foot switch: Press and hold the foot switch and press and hold the function enable switch on the control handle at the same time.

- ⊙ Result: The platform should raise. The pothole guards should deploy.

- 46 Release the control handle.
- ⊙ Result: The platform should stop raising.
- 47 Press and hold the function enable switch on the control handle. Slowly move the control handle in the direction indicated by the yellow arrow.

Result: The platform should lower. The descent alarm should sound while the platform is lowering.

Test the Drive Function Button

Use this function test procedure if the decal on your platform controls has these buttons.



- 48 Press the drive function button (if equipped).
- 49 Wait seven seconds for the drive function to time out.
- 50 Slowly move the control handle in the direction indicated by the blue arrow, then in the direction indicated by the yellow arrow.
- ⊙ Result: No functions should operate.



Inspections

Test the Steering

Note: When performing the steer and drive function tests, stand in the platform facing the steer end of the machine.

- 51 Press the drive function button (if equipped).



- 52 Press and hold the function enable switch on the control handle.

Machines equipped with foot switch: Press and hold the foot switch and press and hold the function enable switch on the control handle at the same time.

- 53 Press the thumb rocker switch on top of the control handle in the direction indicated by the blue triangle on the control panel.
- ⊙ Result: The steer wheels should turn in the direction indicated by the blue triangle.
- 54 Press the thumb rocker switch on top of the control handle in the direction indicated by the yellow triangle, on the control panel.
- ⊙ Result: The steer wheels should turn in the direction indicated by the yellow triangle.

Test Drive and Braking

- 55 Press the drive function button (if equipped).



- 56 Press and hold the function enable switch on the control handle.

Machines equipped with foot switch: Press and hold the foot switch and press and hold the function enable switch on the control handle at the same time.

- 57 Slowly move the control handle in the direction indicated by the blue arrow on the control panel until the machine begins to move, then return the control handle to the center position.
- ⊙ Result: The machine should move in the direction that the blue arrow points on the control panel, then come to an abrupt stop when the control handle is returned to the center position.
- 58 Slowly move the control handle in the direction indicated by the yellow arrow on the control panel until the machine begins to move, then return the control handle to the center position.
- ⊙ Result: The machine should move in the direction that the yellow arrow points on the control panel, then come to an abrupt stop when the control handle is returned to the center position.

Note: The brakes must be able to hold the machine on any slope it is able to climb.

Inspections

Test the Tilt Sensor Operation

Note: Perform this test from the ground with the platform controller. Do not stand in the platform.

- 59 Fully lower the platform.
- 60 Place a 2x4 or similar piece of wood under both wheels on one side and drive the machine up onto them.
- 61 Raise the platform approximately 7 ft / 2.1 m from the ground.
- ⊙ Result: The platform should stop and the tilt alarm will sound at 180 beeps per minute. The platform controls LED readout should display LL and the ground controls LCD should display LL: Machine Tilted.

- 62 Press the drive function button (if equipped).



- 63 Press and hold the function enable switch on the control handle.
- 64 Move the control handle in the direction indicated by the blue arrow, then move the control handle in the direction indicated by the yellow arrow.
- ⊙ Result: The drive function should not work in either direction.
- 65 Lower the platform and remove both pieces of wood.

Test Elevated Drive Speed

- 66 Raise the platform approximately 4 ft / 1.2 m from the ground.

- 67 Press the drive function button (if equipped).



- 68 Press and hold the function enable switch on the control handle. Slowly move the control handle to full drive position.

- ⊙ Result: The maximum achievable drive speed with the platform raised should not exceed 0.72 ft / 22 cm per second.



If the drive speed with the platform raised exceeds 0.72 ft / 22 cm per second, immediately tag and remove the machine from service.

Test the Pothole Guards

Note: The pothole guards should automatically deploy when the platform is raised. The pothole guards activate limit switches that allow the machine to continue to function. If the pothole guards do not deploy, an alarm sounds and the machine will not drive or steer.

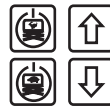
- 69 Raise the platform.
- ⊙ Result: When the platform is raised 4 ft / 1.2 m from the ground, the pothole guards should deploy.
- 70 Press on the pothole guards on one side, and then the other.
- ⊙ Result: The pothole guards should not move.
- 71 Lower the platform
- ⊙ Result: The pothole guards should return to the stowed position.

Inspections

- 72 Place a 2x4 or similar piece of wood under a pothole guard.
- 73 Raise the platform.
- ⊙ Result: Before the platform is raised 7 ft / 2.1 m from the ground, an alarm should sound. The platform controls LED readout should display PHS and the ground controls LCD should display PHS: Pothole Guard Stuck.
- 74 Press the drive function button (if equipped). 
- 75 Press and hold the function enable switch on the control handle.
- 76 Slowly move the control handle in the direction indicated by the blue arrow, then in the direction indicated by the yellow arrow.
- ⊙ Result: The machine should not move forward or backward.
- 77 Press the drive function button (if equipped). 
- 78 Press and hold the function enable switch on the control handle.
- 79 Press the thumb rocker switch on top of the control handle in the direction indicated by the blue and yellow triangles on the control panel.
- ⊙ Result: The steer wheels should not turn left or right.
- 80 Lower the platform.
- 81 Remove the 2x4 or similar piece of wood.

Use the button pattern on the platform controls to determine which of these next two function tests to perform.

Use this function test procedure if the decal on your platform controls has these buttons.



Test the Outrigger Function (GS-3232)

- 82 Raise the platform.
- ⊙ Result: The platform should raise to 22 ft / 6.7 m and stop.
- 83 Fully lower the platform.
- 84 Press and hold the outrigger enable button.
- 85 Press and hold the outrigger extend button.
- ⊙ Result: The outriggers should extend. The individual outrigger indicator lights will flash green as the corresponding outrigger extends.
- 86 Continue pressing the outrigger enable, the foot switch (if equipped) and the outrigger extend buttons until all outrigger indicator lights turn solid green and a long beep is heard from the platform controls alarm. The machine is now level. At this point, the drive and steer functions are disabled.
- Note: If the outrigger enable and extend buttons are released too soon during extension, the outrigger indicator lights will continue to flash green, indicating the outriggers are not contacting the ground.

Inspections

Note: If the outrigger enable, foot switch (if equipped) and extend buttons are released too soon after the outriggers have contacted the ground, a long beep will not be heard at the platform controls and the outrigger indicator lights will be solid green. If a long beep is not heard and the outrigger indicator lights are solid green, this condition may indicate the outriggers are not fully deployed or the machine is not level.

- 87 Press and hold the function enable switch on the control handle.
- 88 Slowly move the control handle in the direction indicated by the blue arrow, then in the direction indicated by the yellow arrow.
 - ⦿ Result: The machine should not move in the directions indicated by the blue and yellow arrows.
- 89 Press and hold the function enable switch on the control handle.
- 90 Press the thumb rocker switch on top of the control handle in the direction indicated by the blue and yellow triangles on the control panel.
 - ⦿ Result: The steer wheels should not turn in the directions indicated by the blue and yellow triangles.
- 91 Raise the platform.
 - ⦿ Result: The platform should raise to 32 ft / 9.8 m and stop.
- 92 Fully lower the platform.
- 93 Press and hold the outrigger enable button.
 - ⦿ Result: The outriggers should not retract.
- 94 Press and hold the outrigger retract button.
 - ⦿ Result: The outriggers should not retract.
- 95 Press and hold the outrigger enable button.
- 96 Press and hold the outrigger retract button.
 - ⦿ Result: The outriggers should retract. The individual outrigger indicator lights will turn solid green as the corresponding outrigger retracts.
- 97 Continue pressing the outrigger enable, foot switch (if equipped) and the outrigger retract buttons until the outriggers are completely retracted. Release the outrigger enable and outrigger retract buttons when all outrigger indicator lights turn off. All functions are now restored.

Note: If the outrigger enable, foot switch (if equipped) and retract buttons are released too soon during retraction, the outrigger indicator lights will flash green, indicating the outriggers are not fully retracted.

Inspections

Use this function test procedure if the decal on your platform controls has these buttons.



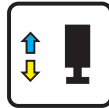
Test the Outrigger Function (GS-3232)

98 Raise the platform.

- ⦿ Result: The platform should raise to 22 ft / 6.7 m and stop.

99 Fully lower the platform.

100 Press the outrigger function button. On the LCD screen, a circle below the outrigger function symbol will turn on.



If the control handle is not moved within seven seconds of pushing the outrigger function button, the circle below the outrigger function symbol will turn off and outrigger function will not operate. Press the outrigger function button again.

101 Press and hold the function enable switch on the control handle.

102 Move the control handle in the direction indicated by the yellow arrow.

- ⦿ Result: The outriggers should extend. The individual outrigger indicator lights will flash green as the corresponding outrigger extends.

103 Continue holding the control handle in the direction indicated by the yellow arrow until all outrigger indicator lights turn solid green and a long beep is heard from the platform controls alarm. The machine is now level. At this point, the drive and steer functions are disabled.

Note: If the control handle or foot switch (if equipped) are released too soon during extension, the outrigger indicator lights will continue to flash green, indicating the outriggers are not contacting the ground.

Note: If the control handle or foot switch (if equipped) are released too soon after the outriggers have contacted the ground, a long beep will not be heard at the platform controls and the outrigger indicator lights will be solid green. If a long beep is not heard and the outrigger indicator lights are solid green, this condition may indicate the outriggers are not fully deployed or the machine is not level.

104 Press the drive function button.

105 Press and hold the function enable switch on the control handle.

106 Slowly move the control handle in the direction indicated by the blue arrow, then in the direction indicated by the yellow arrow.

- ⦿ Result: The machine should not move in the directions indicated by the blue and yellow arrows.

Inspections

107 Press the drive function button.

108 Press and hold the function enable switch on the control handle.

109 Press the thumb rocker switch on top of the control handle in the direction indicated by the blue and yellow triangles on the control panel.

- ⊙ Result: The steer wheels should not turn in the directions indicated by the blue and yellow triangles.

110 Raise the platform.

- ⊙ Result: The platform should raise to 32 ft / 9.8 m and stop.

111 Fully lower the platform.

112 Press the outrigger function button.

113 Wait seven seconds for the outrigger function enable to time out.

114 Slowly move the control handle in the direction indicated by the blue arrow, then in the direction indicated by the yellow arrow.

- ⊙ Result: The outriggers should not retract.

115 Press the outrigger function button.

116 Move the control handle in the direction indicated by the blue arrow.

- ⊙ Result: The outriggers should retract. The individual outrigger indicator lights will turn solid green as the corresponding outrigger retracts.

117 Continue holding the control handle and the foot switch (if equipped) until the outriggers are completely retracted. Release the control handle when all outrigger indicator lights turn off. All functions are now restored.

Note: If the control handle or foot switch (if equipped) are released too soon during retraction, the outrigger indicator lights will flash green, indicating the outriggers are not fully retracted.

Inspections



Do Not Operate Unless:

- ☑ You learn and practice the principles of safe machine operation contained in this operator's manual.
 - 1 Avoid hazardous situations.
 - 2 Always perform a pre-operation inspection.
 - 3 Always perform function tests prior to use.
 - 4 **Inspect the workplace.**

Know and understand the workplace inspection before going on to the next section.
 - 5 Only use the machine as it was intended.

Workplace Inspection Fundamentals

The workplace inspection helps the operator determine if the workplace is suitable for safe machine operation. It should be performed by the operator prior to moving the machine to the workplace.

It is the operator's responsibility to read and remember the workplace hazards, then watch for and avoid them while moving, setting up and operating the machine.

Workplace Inspection Checklist

Be aware of and avoid the following hazardous situations:

- drop-offs or holes
- bumps, floor obstructions or debris
- sloped surfaces
- unstable or slippery surfaces
- overhead obstructions and high voltage conductors
- hazardous locations
- inadequate surface support to withstand all load forces imposed by the machine
- wind and weather conditions
- the presence of unauthorized personnel
- other possible unsafe conditions

Inspections

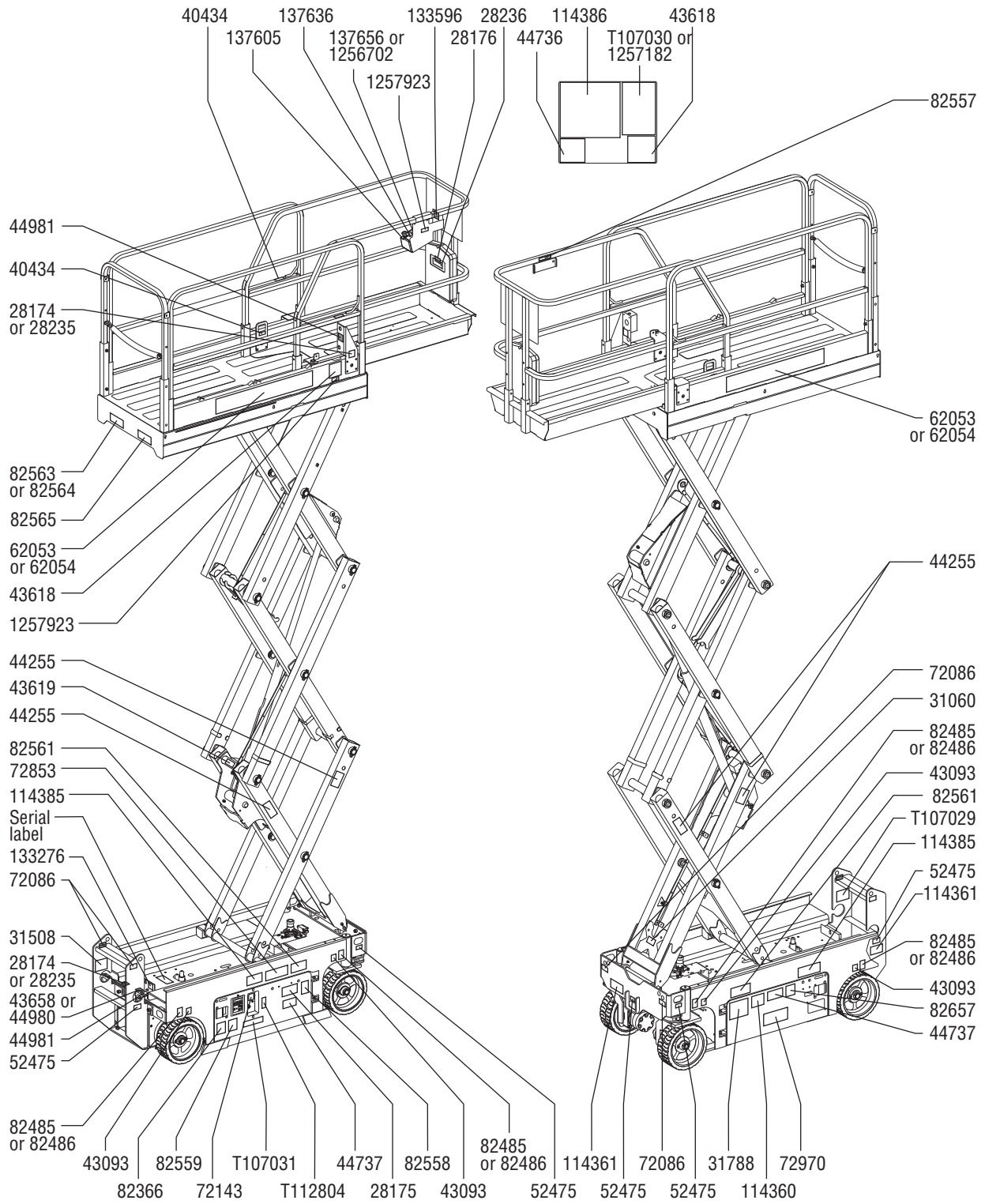
Inspection for Decals with Words GS-1530 and GS-1930

Determine whether the decals on your machine have words or symbols. Use the appropriate inspection to verify that all decals are legible and in place.

Part No.	Decal Description	Qty
28174	Label – Power to Platform, 230V	2
28175	Warning – Compartment Access	1
28176	Label – Missing Manuals	1
28235	Label – Power to Platform, 115V	2
28236	Warning – Improper Operation	1
31060	Danger – Tip-over Hazard, Limit Switch	1
31508	Danger – Electrocution Hazard	1
31788	Danger – Explosion/Burn Hazard	1
40434	Label – Lanyard Anchorage Point	3
43093	Label – Tire Specification	4
43618	Label – Directional Arrows	2
43619	Label – Safety Arm	1
43658	Label – Power to Charger, 230V	1
44255	Danger – Crushing Hazard	4
44736	Danger – Tip-over Hazard, Tilt Alarm	1
44737	Danger – Tip-over Hazard, Trays Open	2
44980	Label – Power to Charger, 115V	1
44981	Label – Air Line to Platform, 110 PSI	2
52475	Label – Transport Tie-down	5
62053	Cosmetic – Genie GS-1530	2
62054	Cosmetic – Genie GS-1930	2
72086	Label – Lifting Point	4
72143	Label – Emergency Stop	1
72853	Danger – Improper Use Hazard	1

Part No.	Decal Description	Qty
72970	Instructions – Battery Charger Operation	1
82366	Label – Chevron Rando	1
82485	Label – Wheel Load, GS-1530	4
82486	Label – Wheel Load, GS-1930	4
82557	Label – Platform Controls Location	1
82558	Warning – Skin Injection Hazard	1
82559	Instructions – Annual Inspection	1
82561	Danger – Crushing Hazard	2
82563	Instructions – Max Cap, 500 lbs / 227 kg, GS-1930	1
82564	Instructions – Max Cap, 600 lbs / 272 kg, GS-1530	1
82565	Instructions – Maximum Side Force	1
82657	Instructions – Battery Connection Diagram	1
114360	Danger – Tip-over Hazard, Batteries	1
114361	Label – Transport Diagram	2
114385	Danger – Electrocution Hazard	2
114386	Danger – General Safety Rules	1
133276	Label – Emergency Lowering	1
133596	Label – Operational Indicator Codes	1
137605	Label – Emergency Stop, Platform Control	1
137636	Overlay – Platform Control Panel	1
137656	Label – Drive/Steer Direction, Platform Control	1
1256702	Overlay – Platform Control Panel	1
1257182	Instructions – Operation, Platform Control	1
1257923	Label – Smartlink	2
T107029	Danger/Instructions – Brake Release Safety and Operation	1
T107030	Instructions – Operation, Platform Control	1
T107031	Instructions – Operation, Ground Control	1
T112804	Label – Ground Control Panel	1

Inspections



Inspections

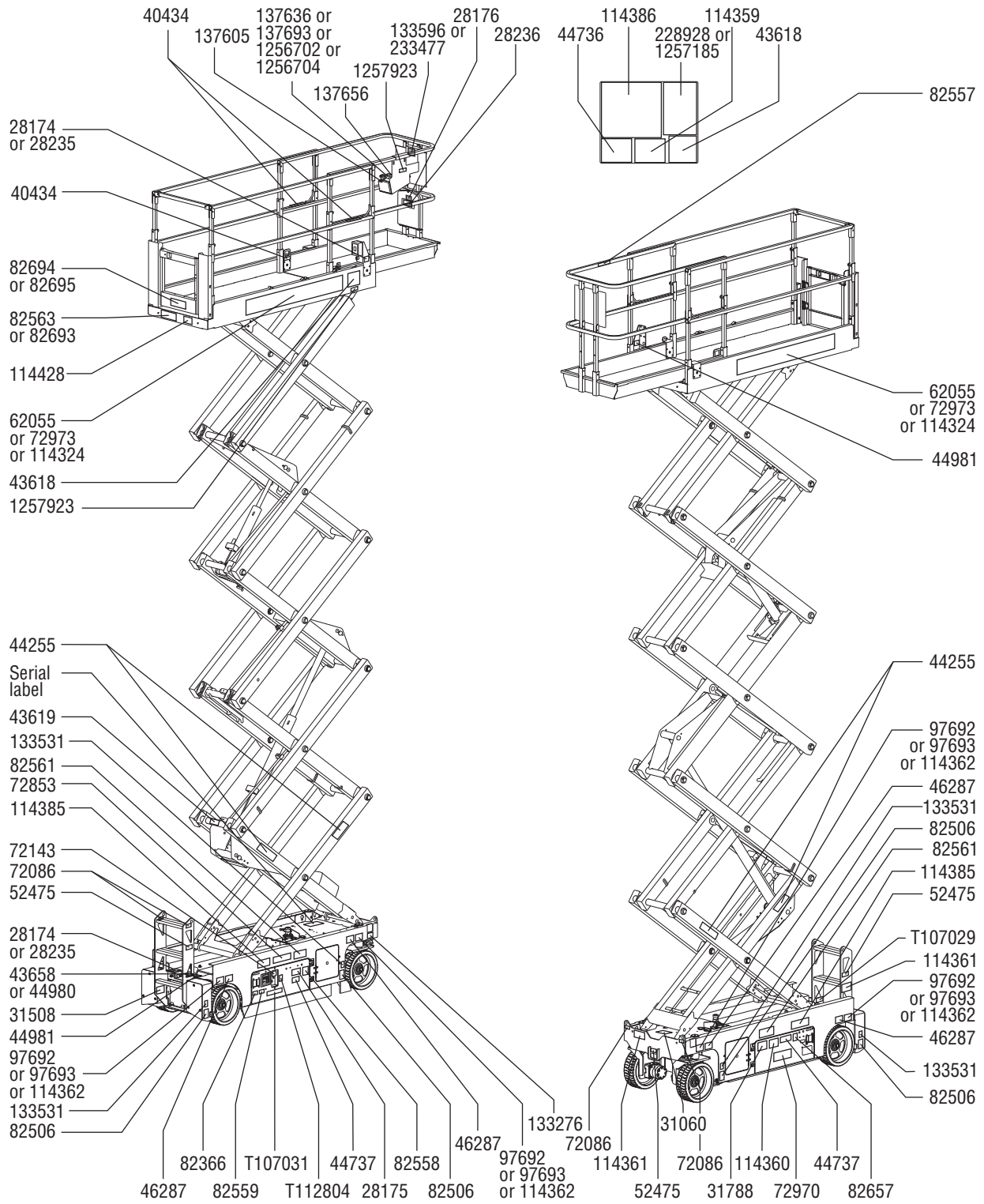
Inspection for Decals with Words GS-2032, GS-2632 and GS-3232

Determine whether the decals on your machine have words or symbols. Use the appropriate inspection to verify that all decals are legible and in place.

Part No.	Decal Description	Qty
28174	Label – Power to Platform, 230V	2
28175	Warning – Compartment Access	1
28176	Label – Missing Manuals	1
28235	Label – Power to Platform, 115V	2
28236	Warning – Improper Operation	1
31060	Danger – Tip-over Hazard, Limit Switch	1
31508	Danger – Electrocutation Hazard	1
31788	Danger – Explosion/Burn Hazard	1
40434	Label – Lanyard Anchorage Point	3
43618	Label – Directional Arrows	2
43619	Label – Safety Arm	1
43658	Label – Power to Charger, 230V	1
44255	Danger – Crushing Hazard	4
44736	Danger – Tip-over Hazard, Tilt Alarm	1
44737	Danger – Tip-over Hazard, Trays Open	2
44980	Label – Power to Charger, 115V	1
44981	Label – Air Line to Platform, 110 PSI	2
46287	Label – Tire Specification	4
52475	Label – Transport Tie-down	3
62055	Cosmetic – Genie GS-2032	2
72086	Label – Lifting Point	4
72143	Label – Emergency Stop	1
72853	Danger – Improper Use Hazard	1
72970	Instructions – Battery Charger Operation	1
72973	Cosmetic – Genie GS-2632	2
82366	Label – Chevron Rando	1
82506	Danger – Foot Crushing Hazard (GS-3232 only)	4
82557	Label – Platform Controls Location	1
82558	Warning – Skin Injection Hazard	1
82559	Instructions – Annual Inspection	1
82561	Danger – Crushing Hazard	2
82563	Instructions – Max Cap, 500 lbs / 227 kg, GS-2632 and GS-3232	1

Part No.	Decal Description	Qty
82657	Instructions – Battery Connection Diagram	1
82693	Instructions – Max Cap, 800 lbs / 363 kg, GS-2032	1
82694	Instructions – Maximum Side Force, GS-2032	1
82695	Instructions – Maximum Side Force, GS-2632 and GS-3232	1
97692	Label – Wheel Load, GS-2032	4
97693	Label – Wheel Load, GS-2632	4
114324	Cosmetic – Genie GS-3232	2
114359	Danger – Tip-over Hazard, Outriggers (GS-3232 only)	1
114360	Danger – Tip-over Hazard, Batteries	1
114361	Label – Transport Diagram	2
114362	Label – Wheel Load, GS-3232	4
114385	Danger – Electrocutation Hazard	2
114386	Danger – General Safety Rules	1
114428	Instructions – Maximum Travel Height (GS-3232 only)	1
133276	Label – Emergency Lowering	1
133531	Label – Outrigger Load, GS-3232	4
133596	Label – Operational Indicator Codes (All models except GS-3232)	1
137605	Label – Emergency Stop, Platform Control	1
137636	Overlay – Platform Control Panel (All models except GS-3232)	1
137656	Label – Drive/Steer Direction, Platform Control	1
137693	Overlay – Platform Control Panel (GS-3232 only)	1
228928	Instructions – Operation, Platform Control	1
233477	Label – Operational Indicator Codes (GS-3232 only)	1
1256702	Overlay – Platform Control Panel	1
1256704	Overlay – Platform Control Panel with Outriggers	1
1257185	Instructions – Operation, Platform Control	1
1257923	Label – Smartlink	2
T107029	Danger/Instructions – Brake Release Safety and Operation	1
T107031	Instructions – Operation, Ground Control	1
T112804	Label – Ground Control Panel	1

Inspections



Inspections

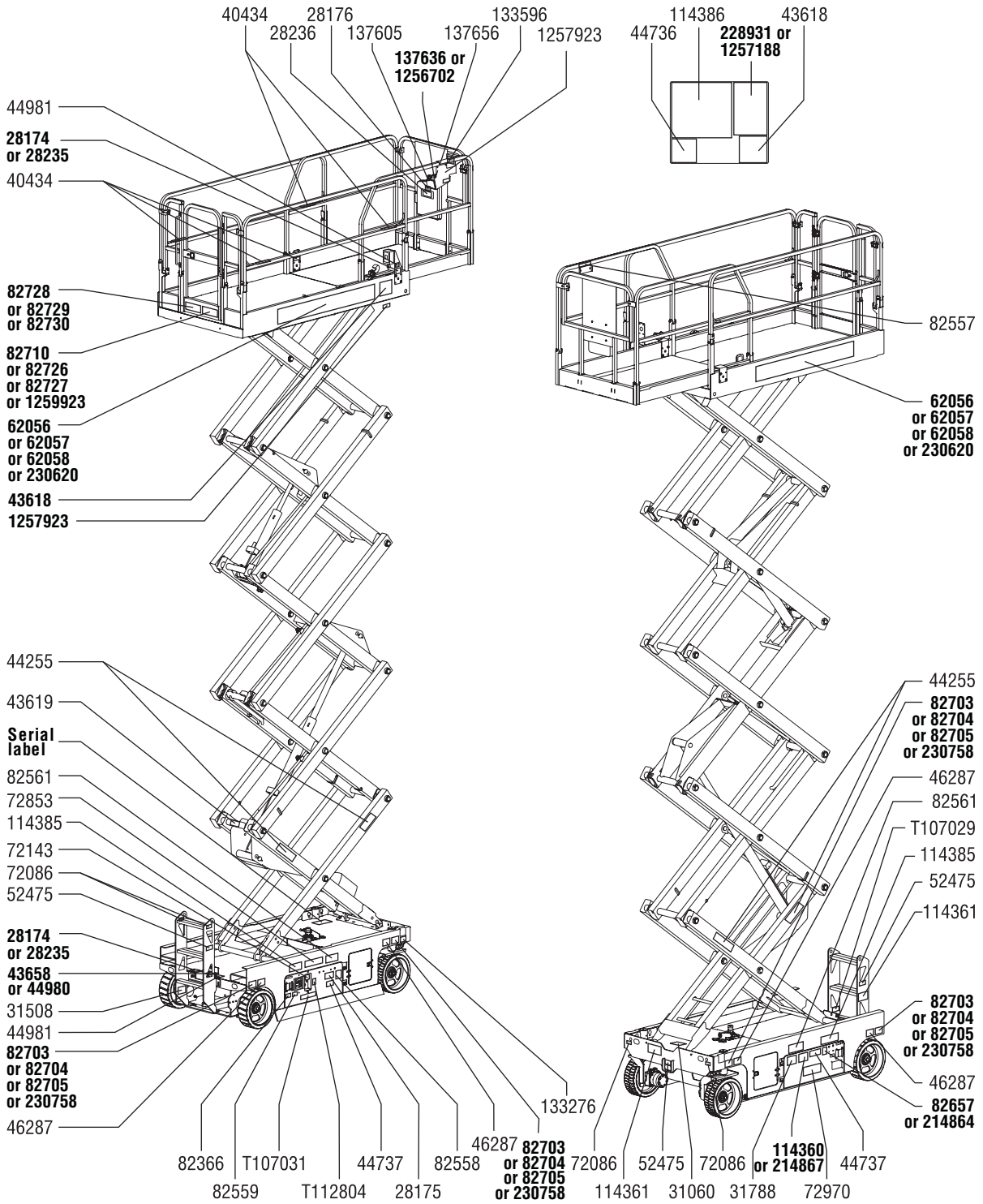
Inspection for Decals with Words GS-2046, GS-2646, GS-3246 and GS-4047

Determine whether the decals on your machine have words or symbols. Use the appropriate inspection to verify that all decals are legible and in place.

Part No.	Decal Description	Qty
28174	Label – Power to Platform, 230V	2
28175	Warning – Compartment Access	1
28176	Label – Missing Manuals	1
28235	Label – Power to Platform, 115V	2
28236	Warning – Improper Operation	1
31060	Danger – Tip-over Hazard, Limit Switch	1
31508	Danger – Electrocutation Hazard	1
31788	Danger – Explosion/Burn Hazard	1
40434	Label – Lanyard Anchorage Point	5
43618	Label – Directional Arrows	2
43619	Label – Safety Arm	1
43658	Label – Power to Charger, 230V	1
44255	Danger – Crushing Hazard	4
44736	Danger – Tip-over Hazard, Tilt Alarm	1
44737	Danger – Tip-over Hazard, Trays Open	2
44980	Label – Power to Charger, 115V	1
44981	Label – Air Line to Platform, 110 PSI	2
46287	Label – Tire Specification	4
52475	Label – Transport Tie-down	5
62056	Cosmetic – Genie GS-2046	2
62057	Cosmetic – Genie GS-2646	2
62058	Cosmetic – Genie GS-3246	2
72086	Label – Lifting Point	4
72143	Label – Emergency Stop	1
72853	Danger – Improper Use Hazard	1
72970	Instructions – Battery Charger Operation	1
82366	Label – Chevron Rando	1
82557	Label – Platform Controls Location	1
82558	Warning – Skin Injection Hazard	1
82559	Instructions – Annual Inspection	1
82561	Danger – Crushing Hazard	2
82657	Instructions – Battery Connection Diagram	1

Part No.	Decal Description	Qty
82703	Label – Wheel Load, GS-2046	4
82704	Label – Wheel Load, GS-2646	4
82705	Label – Wheel Load, GS-3246	4
82710	Instructions – Max Capacity, 1200 lbs / 544 kg, GS-2046	1
82726	Instructions – Max Capacity, 1000 lbs / 454 kg, GS-2646	1
82727	Instructions – Max Capacity, 700 lbs / 318 kg, GS-3246	1
82728	Instructions – Maximum Side Force GS-2046	1
82729	Instructions – Maximum Side Force GS-2646	1
82730	Instructions – Maximum Side Force GS-3246, GS-4047	1
114360	Danger – Tip-over Hazard, Batteries	1
114361	Label – Transport Diagram	2
114385	Danger – Electrocutation Hazard	2
114386	Danger – General Safety Rules	1
133276	Label – Emergency Lowering	1
133596	Label – Operational Indicator Codes	1
137605	Label – Emergency Stop, Platform Control	1
137636	Overlay – Platform Control Panel	1
137656	Label – Drive/Steer Direction, Platform Control	1
214864	Instructions – Battery Connection Diagram, GS-4047	1
214867	Danger – Tip-over Hazard, Batteries, GS-4047	1
228931	Instructions – Operation, Platform Control	1
230620	Cosmetic – Genie GS-4047	2
230758	Label – Wheel Load, GS-4047	4
1254919	Warning – Panel Cradle	2
1256702	Overlay – Platform Control Panel	1
1257188	Instructions – Operation, Platform Control	1
1257923	Label – Smartlink	2
1259923	Instructions – Max Capacity, 550 lbs / 250 kg, GS-4047	1
T107029	Danger/Instructions – Brake Release Safety and Operation	1
T107031	Instructions – Operation, Ground Control	1
T112804	Label – Ground Control Panel	1

Inspections



Inspections

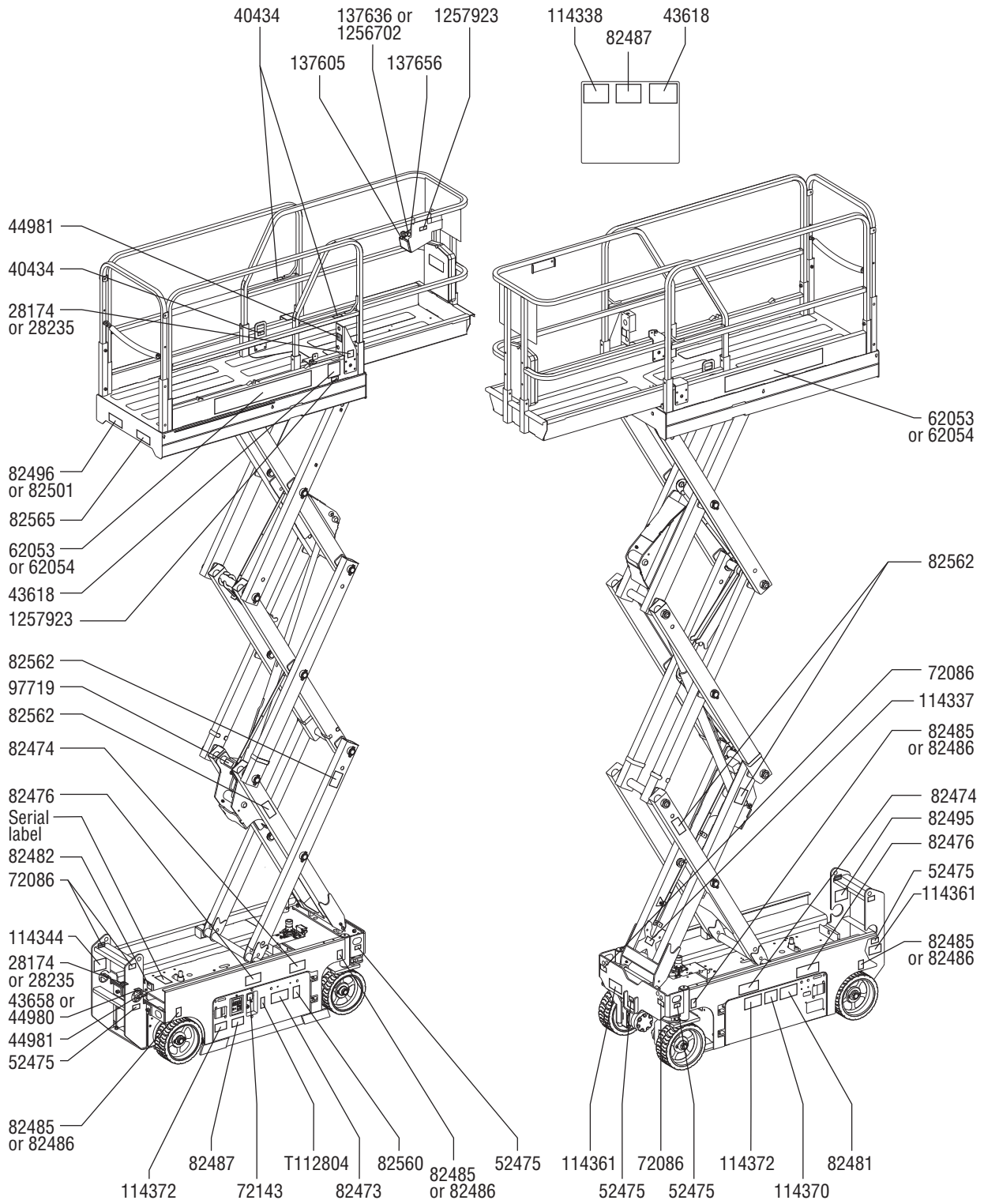
Inspection for Decals with Symbols GS-1530 and GS-1930

Determine whether the decals on your machine have words or symbols. Use the appropriate inspection to verify that all decals are legible and in place.

Part No.	Decal Description	Qty
28174	Label – Power to Platform, 230V	2
28235	Label – Power to Platform, 115V	2
40434	Label – Lanyard Anchorage Point	3
43618	Label – Directional Arrows	2
43658	Label – Power to Charger, 230V	1
44980	Label – Power to Charger, 115V	1
44981	Label – Air Line to Platform, 110 psi	3
52475	Label – Transport Tie-down	5
62053	Cosmetic – Genie GS-1530	2
62054	Cosmetic – Genie GS-1930	2
72086	Label – Lifting Point	4
72143	Label – Emergency Stop	1
82473	Label – Compartment Access	1
82474	Label – Use Safety Chock	2
82476	Label – Electrocution Hazard	2
82481	Label – Battery/Charger Safety	1
82482	Label – Emergency Lowering	1
82485	Label – Wheel Load, GS-1530	4

Part No.	Decal Description	Qty
82486	Label – Wheel Load, GS-1930	4
82487	Label – Read the Manual	2
82495	Label – Brake Release Safety and Operating Instructions	1
82496	Label – Maximum Capacity, 227 kg, GS-1930	1
82501	Label – Maximum Capacity, 272 kg, GS-1530	1
82560	Label – Skin Injection Hazard	1
82562	Label – Crushing Hazard	4
82656	Label – Side Force, 445 N	1
97719	Label – Safety Arm	1
114334	Label – Electrocution Hazard, Plug	1
114337	Label – Tip-over Hazard, Limit Switch	1
114338	Label – Tip-over Hazard, Tilt Alarm	1
114361	Label – Transport Diagram	2
114370	Label – Tip-over Hazard, Batteries	1
114372	Label – Tip-over Hazard, Open Trays	2
137605	Label – Emergency Stop, Platform Control	1
137636	Overlay – Platform Control Panel	1
137656	Label – Drive/Steer Direction, Platform Control	1
1256702	Overlay – Platform Control Panel	1
1257923	Label – Smartlink	2
T112804	Label – Ground Control Panel	1

Inspections



Inspections

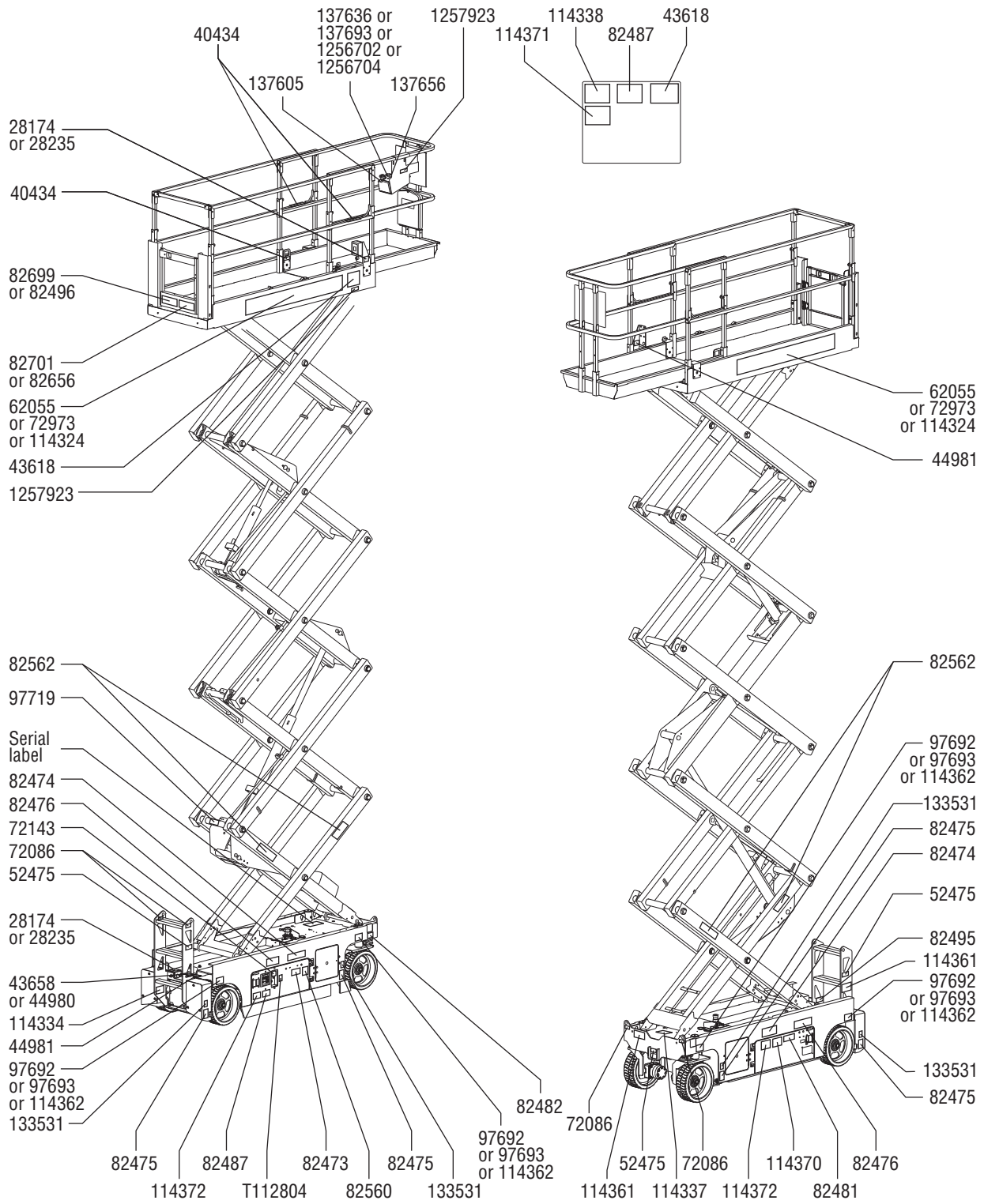
Inspection for Decals with Symbols GS-2032, GS-2632 and GS-3232

Determine whether the decals on your machine have words or symbols. Use the appropriate inspection to verify that all decals are legible and in place.

Part No.	Decal Description	Qty
28174	Label – Power to Platform, 230V	2
28235	Label – Power to Platform, 115V	2
40434	Label – Lanyard Anchorage Point	3
43618	Label – Directional Arrows	2
43658	Label – Power to Charger, 230V	1
44980	Label – Power to Charger, 115V	1
44981	Label – Air Line to Platform, 110 PSI	2
52475	Label – Transport Tie-down	3
62055	Cosmetic – Genie GS-2032	2
72086	Label – Lifting Point	4
72143	Label – Emergency Stop	1
72973	Cosmetic – Genie GS-2632	2
82473	Label – Compartment Access	1
82474	Label – Use Safety Chock	2
82475	Label – Crushing Hazard, Outriggers (GS-3232 only)	4
82476	Label – Electrocution Hazard	2
82481	Label – Battery/Charger Safety	1
82482	Label – Emergency Lowering	1
82487	Label – Read the Manual	2
82495	Label – Brake Release Safety and Operating Instructions	1
82496	Label – Maximum Capacity, 227 kg, GS-2632 and GS-3232	1

Part No.	Decal Description	Qty
82560	Label – Skin Injection Hazard	1
82562	Label – Crushing Hazard	4
82656	Label – Side Force, 445 N, GS-2632 and GS-3232	1
82699	Label – Maximum Capacity, 363 kg, GS-2032	1
82701	Label – Side Force, 534 N, GS-2032	1
97692	Label – Wheel Load, GS-2032	4
97693	Label – Wheel Load, GS-2632	4
97719	Label – Safety Arm	1
114324	Cosmetic – Genie GS-3232	2
114334	Label – Electrocution Hazard, Plug	1
114337	Label – Tip-over Hazard, Limit Switch	1
114338	Label – Tip-over Hazard, Tilt Alarm	1
114361	Label – Transport Diagram	2
114362	Label – Wheel Load, GS-3232	4
114370	Label – Tip-over Hazard, Batteries	1
114371	Label – Outrigger Safety (GS-3232 only)	1
114372	Label – Tip-over Hazard, Open Trays	2
133531	Label – Outrigger Load, GS-3232	4
137605	Label – Emergency Stop, Platform Control	1
137636	Overlay – Platform Control Panel (All Models Except GS-3232)	1
137656	Label – Drive/Steer Direction, Platform Control	1
137693	Overlay – Platform Control Panel (GS-3232 only)	1
1256702	Overlay – Platform Control Panel	1
1256704	Overlay – Platform Control Panel with Outriggers	1
1257923	Label – Smartlink	2
T112804	Label – Ground Control Panel	1

Inspections



Inspections

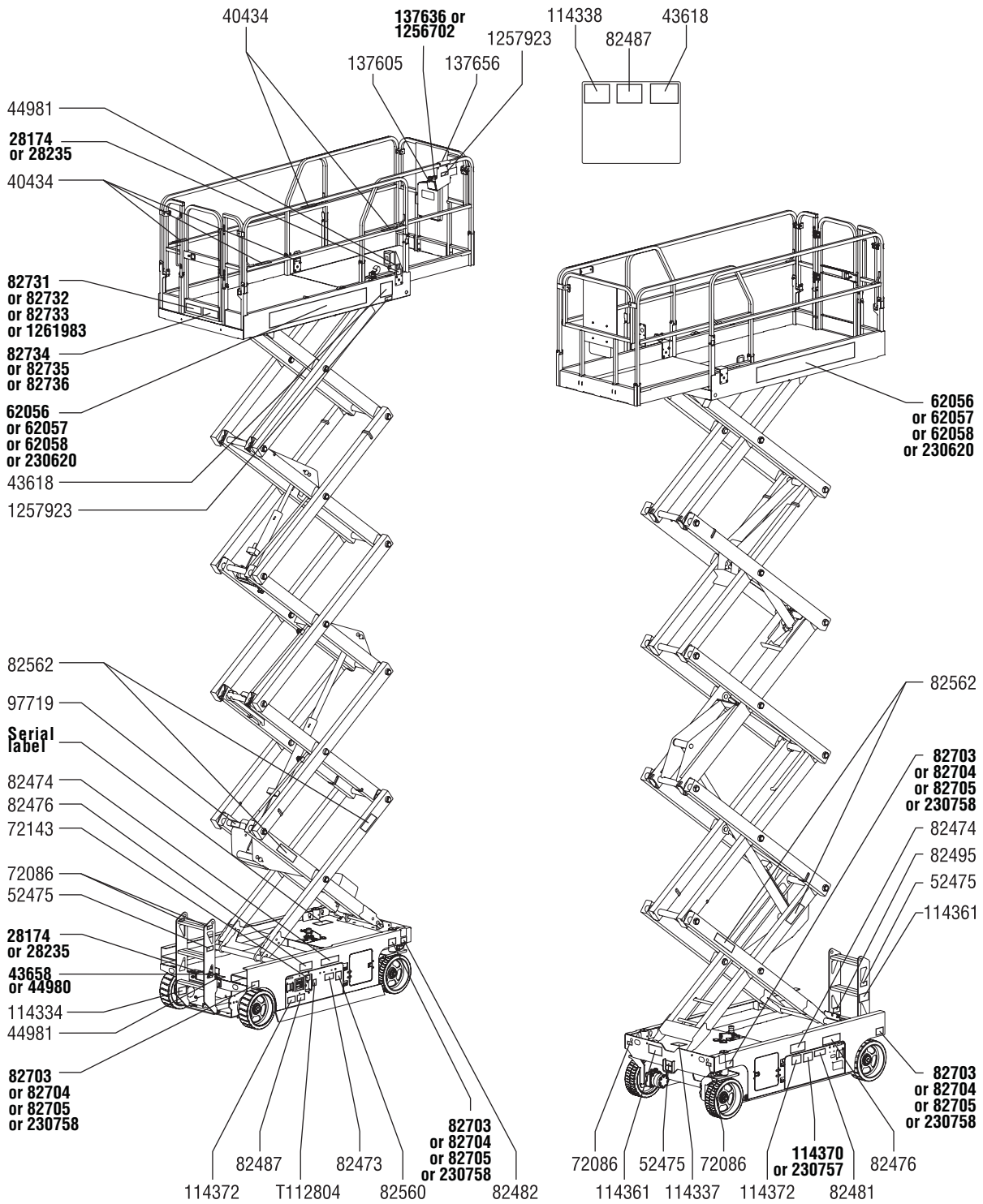
Inspection for Decals with Symbols GS-2046, GS-2646, GS-3246 and GS-4047

Determine whether the decals on your machine have words or symbols. Use the appropriate inspection to verify that all decals are legible and in place.

Part No.	Decal Description	Qty
28174	Label – Power to Platform, 230V	2
28235	Label – Power to Platform, 115V	2
40434	Label – Lanyard Anchorage Point	5
43618	Label – Directional Arrows	2
43658	Label – Power to Charger, 230V	1
44980	Label – Power to Charger, 115V	1
44981	Label – Air Line to Platform, 110 PSI	2
52475	Label – Transport Tie-down	5
62056	Cosmetic – Genie GS-2046	2
62057	Cosmetic – Genie GS-2646	2
62058	Cosmetic – Genie GS-3246	2
72086	Label – Lifting Point	4
72143	Label – Emergency Stop	1
82473	Label – Compartment Access	1
82474	Label – Use Safety Chock	2
82476	Label – Electrocutation Hazard	2
82481	Label – Battery/Charger Safety	1
82482	Label – Emergency Lowering	1
82487	Label – Read the Manual	2
82495	Label – Brake Release Safety and Operating Instructions	1
82560	Label – Skin Injection Hazard	1
82562	Label – Crushing Hazard	4
82703	Label – Wheel Load, GS-2046	4

Part No.	Decal Description	Qty
82704	Label – Wheel Load, GS-2646	4
82705	Label – Wheel Load, GS-3246	4
82731	Label – Maximum Capacity, 544 kg, GS-2046	1
82732	Label – Maximum Capacity, 454 kg, GS-2646	1
82733	Label – Maximum Capacity, 318 kg, GS-3246	1
82734	Label – Side Force, 890 N, GS-2046	1
82735	Label – Side Force, 667 N, GS-2646	1
82736	Label – Side Force, 467 N, GS-3246, GS-4047	1
97719	Label – Safety Arm	1
114334	Label – Electrocutation Hazard, Plug	1
114337	Label – Tip-over Hazard, Limit Switch	1
114338	Label – Tip-over Hazard, Tilt Alarm	1
114361	Label – Transport Diagram	2
114370	Label – Tip-over Hazard, Batteries	1
114372	Label – Tip-over Hazard, Open Trays	2
137605	Label – Emergency Stop, Platform Control	1
137636	Overlay – Platform Control Panel	1
137656	Label – Drive/Steer Direction, Platform Control	1
230620	Cosmetic – Genie GS-4047	2
230757	Label – Tip-over Hazard, Batteries	1
230758	Label – Wheel Load, GS-4047	4
1256702	Overlay – Platform Control Panel	1
1257923	Label – Smartlink	2
1261983	Label – Maximum Capacity, 250 kg, GS-4047	1
T112804	Label – Ground Control Panel	1

Inspections



Operating Instructions



Do Not Operate Unless:

- You learn and practice the principles of safe machine operation contained in this operator's manual.
 - 1 Avoid hazardous situations.
 - 2 Always perform a pre-operation inspection.
 - 3 Always perform function tests prior to use.
 - 4 Inspect the workplace.
 - 5 **Only use the machine as it was intended.**

Fundamentals

The Operating Instructions section provides instructions for each aspect of machine operation. It is the operator's responsibility to follow all the safety rules and instructions in the operator's, safety and responsibilities manuals.

Using the machine for anything other than lifting personnel, along with their tools and materials, to an aerial work site is unsafe and dangerous.

Only trained and authorized personnel should be permitted to operate a machine. If more than one operator is expected to use a machine at different times in the same work shift, they must all be qualified operators and are all expected to follow all safety rules and instructions in the operator's, safety and responsibilities manuals. That means every new operator should perform a pre-operation inspection, function tests, and a workplace inspection before using the machine.

Operating Instructions

Emergency Stop

Push in the red Emergency Stop button to the off position at the ground controls or the platform controls to stop all functions.

Repair any function that operates when either red Emergency Stop button is pushed in.

Emergency Lowering

- 1 Pull the emergency lowering knob to lower the platform.

Operation from Ground

- 1 Be sure the battery pack is connected before operating the machine.
- 2 Turn the key switch to ground control.
- 3 Pull out both ground and platform red Emergency Stop buttons to the on position.

To Position Platform

- 1 At the control panel, press and hold the lift function enable button.
- 2 Press the platform up or down button.

Drive and steer functions are not available from the ground controls.

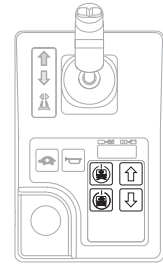
Operation from Platform

- 1 Be sure the battery pack is connected before operating the machine.
- 2 Turn the key switch to platform control.
- 3 Pull out both ground and platform red Emergency Stop buttons to the on position.

Controller Identification

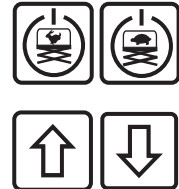
These machines were produced with two different styles of platform controls. Use the button pattern on the platform controls to determine which instructions apply to your machine.

Use these instructions if the decal on your platform controls has these buttons.



To Position Platform

- 1 Press and hold the high or low speed lift enable button.
- 2 Press and hold the foot switch (if equipped).
- 3 Press the platform up or platform down button.



Operating Instructions

To Position Outriggers (GS-3232 models)

To Extend Outriggers:

- 1 Press and hold the outrigger enable button.



- 2 Press and hold the foot switch (if equipped).
- 3 Press and hold the outrigger extend button.

The outriggers will begin to extend. The individual outrigger indicator lights will flash green as the corresponding outrigger extends. Continue pressing the outrigger enable and the outrigger extend buttons until all outrigger indicator lights turn solid green and a long beep is heard from the platform controls alarm. The machine is now level.

Note: If the outrigger enable and extend buttons are released too soon during extension, the outrigger indicator lights will continue to flash green, indicating the outriggers are not contacting the ground.

Note: If the outrigger lights are solid green, the machine may not be level or the outriggers may not be fully deployed if a long beep is not heard at the platform controls alarm.

To Retract Outriggers:

- 1 Press and hold the



- 2 Press and hold the foot switch (if equipped).
- 3 Press and hold the outrigger retract button.

The outriggers will begin to retract. The outrigger indicator lights will turn solid green as the corresponding outrigger retracts. Continue pressing the outrigger enable and outrigger retract buttons until all outrigger indicator lights turn off, indicating all outriggers are completely retracted. All machine functions are now restored.

Note: If the outrigger enable and retract buttons are released too soon during retraction, the outrigger indicator lights will flash green, indicating the outriggers are not fully retracted.

To Steer

- 1 Press and hold the drive/steer function enable switch on the control handle.
- 2 Press and hold the foot switch (if equipped).
- 3 Turn the steer wheels with the thumb rocker switch located on the top of the control handle.



Operating Instructions

To Drive

- 1 Press and hold the drive/steer function enable switch on the control handle.
- 2 Press and hold the foot switch (if equipped).
- 3 Increase speed: Slowly move the control handle off center.

Decrease speed: Slowly move the control handle toward center.

Stop: Return the control handle to center or release the function enable switch.

Use the color-coded direction arrows on the platform controls and on the platform to identify the direction the machine will travel.

Machine travel speed is restricted when the platform is raised.

Battery condition will affect machine performance. Machine drive speed and function speed will drop when the battery level indicator is flashing.

To select drive speed

The drive controls can operate in two different drive speed modes while in the stowed position. When the drive speed button light is on, slow drive speed mode is active. When the drive speed button light is off, fast drive speed mode is active.

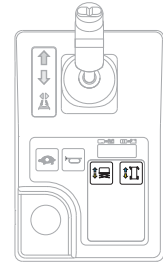
Press the drive speed button to select the desired drive speed.



Note: When the platform is elevated, the drive speed button light is always on, indicating elevated drive speed.

Controller Identification

Use these instructions if the decal on your platform controls has these buttons.



To Position Platform

- 1 Press the lift function button. On the LCD screen, a circle below the lift function symbol will turn on.



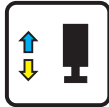
If the control handle is not moved within seven seconds of pushing the lift function button, the circle below the lift function symbol will turn off and lift function will not operate. Press the lift function button again.

- 2 Press and hold the function enable switch on the control handle.
- 3 Machines equipped with foot switch: Press and hold the foot switch and press and hold the function enable switch on the control handle at the same time.
- 4 Move the control handle according to the markings on the control panel.

Operating Instructions

To Position Outriggers (GS-3232 models)

To Extend Outriggers:

- 1 Press the outrigger function button. On the LCD screen, a circle below the outrigger function symbol will turn on. 
- 2 Machines equipped with foot switch: Press and hold the foot switch and press and hold the function enable switch on the control handle at the same time.
- 3 Move the control handle in the direction indicated by the yellow arrow.

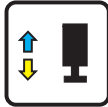
The outriggers will begin to extend. The individual outrigger indicator light will turn solid green as the corresponding outrigger makes contact with the ground. Continue moving the control handle until the lift enable indicator light turns green and a beep is heard. The machine is now level. When the lift error indicator light turns red, the up/down and drive functions are disabled. The lift error indicator light will turn red under the following conditions:

- The platform is raised to 22 ft / 6.7 m and the outriggers are not deployed.
- Not all outriggers are in contact with the ground.
- All four outriggers are in contact with the ground but the machine is not level.
- Error code.

Note: If the outrigger enable and extend buttons are released too soon during extension, the outrigger indicator lights will continue to flash green, indicating the outriggers are not contacting the ground.

Note: If the outrigger lights are solid green, the machine may not be level or the outriggers may not be fully deployed if a long beep is not heard at the platform controls alarm.

To Retract Outriggers:

- 1 Press the outrigger function button. 
- 2 Machines equipped with foot switch: Press and hold the foot switch and press and hold the function enable switch on the control handle at the same time.
- 3 Move the control handle in the direction indicated by the blue arrow.

Release the control handle once the outriggers are off the ground. After approximately 5 seconds, the outrigger indicator lights will turn off. All functions are now restored.

Note: If the outrigger enable and retract buttons are released too soon during retraction, the outrigger indicator lights will flash green, indicating the outriggers are not fully retracted.

Operating Instructions

To Steer

- 1 Press the drive function button. On the LCD screen, a circle below the drive function symbol will turn on.

If the control handle is not moved within seven seconds of pushing the drive function button, the circle below the drive function symbol will turn off and drive function will not operate. Press the drive function button again.

- 2 Press and hold the foot switch (if equipped).
- 3 Turn the steer wheels with the thumb rocker switch located on the top of the control handle.



To Drive

- 1 Press the drive function button. On the LCD screen, a circle below the drive function symbol will turn on.

If the control handle is not moved within seven seconds of pushing the drive function button, the circle below the drive function symbol will turn off and drive function will not operate. Press the drive function button again.

- 2 Machines equipped with foot switch: Press and hold the foot switch and press and hold the function enable switch on the control handle at the same time.
- 3 Increase speed: Slowly move the control handle off center.

Decrease speed: Slowly move the control handle toward center.

Stop: Return the control handle to center or release the function enable switch.

Use the color-coded direction arrows on the platform controls and on the platform to identify the direction the machine will travel.

Machine travel speed is restricted when the platform is raised.

Battery condition will affect machine performance. Machine drive speed and function speed will drop when the battery level indicator is flashing.

To select drive speed

The drive controls can operate in two different drive speed modes while in the stowed position. When the drive speed button light is on, slow drive speed mode is active. When the drive speed button light is off, fast drive speed mode is active.

Press the drive speed button to select the desired drive speed.




Note: When the platform is elevated, the drive speed button light is always on, indicating elevated drive speed.

Operating Instructions


▲ Driving on a slope

Determine the slope and side slope ratings for the machine and determine the slope grade.

Maximum slope rating, stowed position:

	GS-1530, GS-1532, GS-2032, GS-2046 and GS-2646	30%	17°
	GS-1930, GS-1932, GS-2632, GS-3232, GS-3246 and GS-4047	25%	14°

Maximum side slope rating, stowed position:

	GS-1530, GS-1532, GS-2032, GS-2046, and GS-2646	30%	17°
	GS-1930, GS-1932, GS-2632, GS-3232, GS-3246 and GS-4047	25%	14°

Note: Slope rating is subject to ground conditions and adequate traction.

Press the drive speed button to the fast drive speed mode.

To determine the slope grade:

Measure the slope with a digital inclinometer OR use the following procedure.

You will need:

- carpenter's level
- straight piece of wood, at least 3 feet / 1 m long
- tape measure

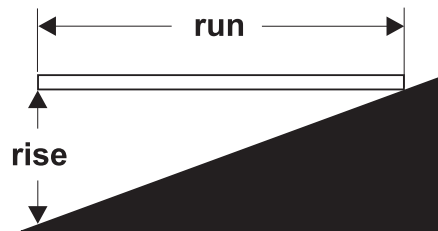
Lay the piece of wood on the slope.

At the downhill end, lay the level on the top edge of the piece of wood and lift the end until the piece of wood is level.

While holding the piece of wood level, measure the vertical distance from the bottom of the piece of wood to the ground.

Divide the tape measure distance (rise) by the length of the piece of wood (run) and multiply by 100.

Example:



Piece of wood = 144 inches (3.6 m)

Run = 144 inches (3.6 m)

Rise = 12 inches (0.3 m)

$12 \text{ in} \div 144 \text{ in} = 0.083 \times 100 = 8.3\% \text{ grade}$
 $0.3 \text{ m} \div 3.6 \text{ m} = 0.083 \times 100 = 8.3\% \text{ grade}$

If the slope exceeds the maximum slope or side slope rating, then the machine must be winched or transported up or down the slope. See Transport and Lifting section.

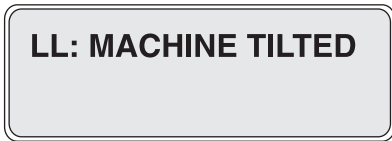
Operating Instructions

Operational indicator codes

If the platform controls LED or ground controls LCD diagnostic readout displays an operational indicator code such as LL, the fault condition must be repaired or removed before resuming machine operation. Push in and pull out the red Emergency Stop button to reset the system.



LED Readout



LCD Readout

Operational Indicator Codes

Code	Condition
LL	Off-Level
OL	Platform Overloaded
CH	Chassis Mode Operation
PHS	Pothole Guard Stuck
Nd	No Drive (option)
Ld	Lifting Disabled (GS-3232 only)

For further information, please consult the appropriate Genie Service Manual. A code and a description of a code can also be viewed at the ground controls LCD display.

Operation from Ground with Controller

Maintain safe distances between the operator, machine and fixed objects.

Be aware of the direction the machine will travel when using the controller.

Battery Level Indicator

Use the LED diagnostic readout to determine the battery level.

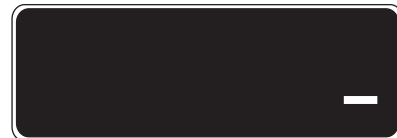
Note: When a blinking LO code appears on the platform controls LED display, the machine must be taken out of service and charged, otherwise all machine functions will be disabled.



Full Charge



Half Charge



Low Charge



LO Flashing

Operating Instructions

How to Use the Safety Arm

- 1 Raise the platform approximately 8 ft / 2.4 m from the ground.
- 2 Rotate the safety arm away from the machine and let it hang down.
- 3 Lower the platform until the safety arm rests securely on the link. Keep clear of the safety arm when lowering the platform.

After Each Use

- 1 Select a safe parking location—firm level surface, clear of obstruction and traffic.
- 2 Lower the platform.
- 3 Turn the key switch to the off position and remove the key to secure from unauthorized use.
- 4 Charge the batteries.

How to Fold Down the Guardrails

GS-1530, GS-1930, GS-2032, GS-2632 and GS-3232

The platform railing system consists of one fold down rail section for the extension deck and one section for the main deck. All sections are held in place by four wire lock pins.

- 1 Fully lower the platform and retract the platform extension.
- 2 Remove the platform controls.
- 3 From inside the platform, remove the two rear extension deck wire lock pins.
- 4 From the rear of the extension deck railing, fold down the front rail assembly. Keep hands free of pinch points.
- 5 Replace the two removed pins back into each side rail bracket.
- 6 At the rear of the main deck, remove the two lower wire lock pins.
- 7 Carefully open the gate and move to the rear step or the ground.
- 8 From the rear step or from the ground, fold down the main deck railing assembly. Keep hands free of pinch points.
- 9 Replace the two removed pins back into each side rail bracket.

Note: To assist in the removal and replacement of the wire lock pins, pull or push back on the railing to compress the rubber bumpers.

Operating Instructions

GS-2046, GS-2646, GS-3246 and GS-4047

The platform railing system consists of three fold down rail sections for the extension deck and three sections for the main deck. All six sections are held in place by four wire lock pins.

- 1 Fully lower the platform and retract the platform extension.
- 2 Remove the platform controls.
- 3 From inside the platform, remove the two front wire lock pins.
- 4 Fold down the front rail assembly. Keep hands clear of pinch points.
- 5 Replace the two removed pins back into each side rail bracket.
- 6 Fold down each side rail assembly. Keep hands clear of pinch points.
- 7 At the rear of the main deck, remove the two wire lock pins.
- 8 Carefully open the gate and move to the ground.
- 9 Fold down the rear gate and entry side rails as one unit. Keep hands clear of pinch points.
- 10 Fold down the left and right side rails. Keep hands clear of pinch points.
- 11 Replace the two removed pins back into each side rail bracket.

How to Raise the Guardrails

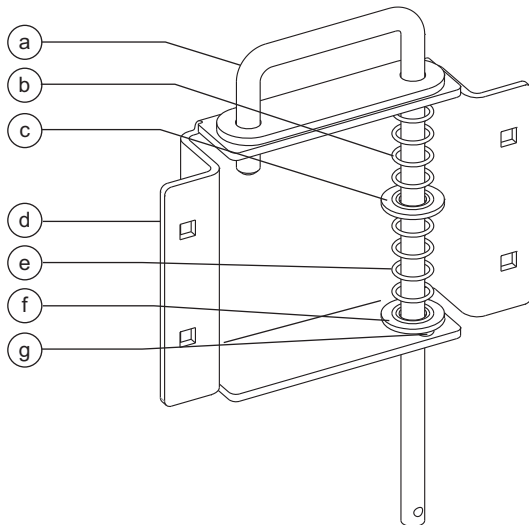
Follow the fold down instructions but in reverse order, ensuring all lock pins are in place and installed properly.

Operating Instructions

Panel Carrier Assembly

Panel restraints

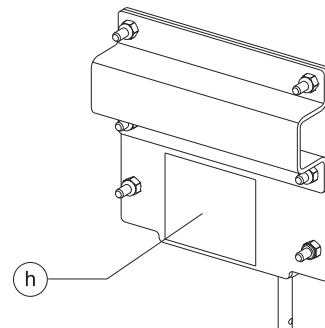
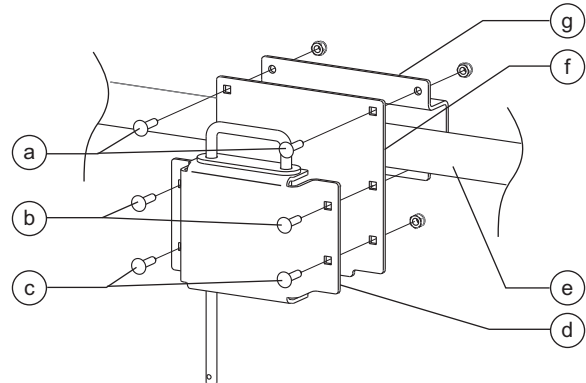
- 1 Install the panel clamp in the housing, using springs and washers in the order shown. Install the cotter pin under the lower washer.
- 2 Repeat for the second housing.



- a panel clamp
- b spring 1
- c washer 1
- d housing
- e spring 2
- f washer 3
- g cotter pin

Install the restraints to the rail

- 1 Install the clamp and housing on the side of the machine without the platform extension locks. Position the clamps as far apart as appropriate for the load.
- 2 Using the 6 bolts and nuts provided, install the clamp and housing to the scissor lift rails. Install bolts and nuts in the order noted.
- 3 Apply the warning decal to the front of each panel cradle (if needed)
- 4 Repeat for the second clamp and housing.

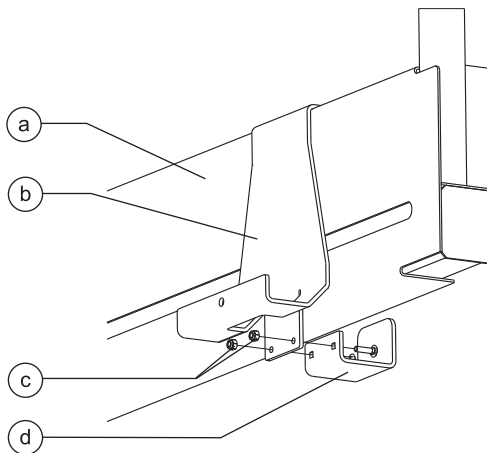


- a 2 bolts and nuts - install first
- b 2 bolts and nuts - install second
- c 2 bolts and nuts - install third
- d housing with clamp
- e platform rail
- f cover plate
- g rail clamp
- h decal

Operating Instructions

Install panel cradles

- 1 Hang the panel cradle from the platform toeboard. Hang them on the side of the machine without the platform extension locks. Position the cradles as far apart as appropriate for the load.
- 2 Using the 2 bolts and nuts provided, install the retainer bracket to the cradle as shown.
- 3 Repeat for the other panel cradle.



- a toeboard
- b panel cradle bracket
- c 2 bolts and nuts
- d retainer bracket

Panel cradle operation

- 1 Lift each panel restraint clamp and swing it out.
- 2 Use two people to lift the panel. Place the top edge of the panel under the clamp, lift up and set the bottom edge of the panel in the panel cradle bracket. The clamp should secure the panel.
- 3 Use the hole in the panel cradle to secure panels that are too small to fit under the clamp. Use a cord or strap, and be sure the panel is secure.

Operating Instructions



Battery and Charger Instructions

Observe and Obey:

- Do not use an external charger or booster battery.
- Charge the battery in a well-ventilated area.
- Use proper AC input voltage for charging as indicated on the charger.
- Use only a Genie authorized battery and charger.

To Charge Battery

- 1 Be sure the batteries are connected before charging the batteries.
- 2 Open the battery compartment. The compartment should remain open for the entire charging cycle.

Maintenance-free batteries

- 1 Connect the battery charger to a grounded AC circuit.
- 2 The charger will indicate when the battery is fully charged.

Standard Batteries

- 1 Remove the battery vent caps and check the battery acid level. If necessary, add only enough distilled water to cover the plates. Do not overfill prior to the charge cycle.
- 2 Replace the battery vent caps.
- 3 Connect the battery charger to a grounded AC circuit.
- 4 The charger will indicate when the battery is fully charged.
- 5 Check the battery acid level when the charging cycle is complete. Replenish with distilled water to the bottom of the fill tube. Do not overfill.

Dry Battery Filling and Charging Instructions

- 1 Remove the battery vent caps and permanently remove the plastic seal from the battery vent openings.
- 2 Fill each cell with battery acid (electrolyte) until the level is sufficient to cover the plates.

Do not fill to maximum level until the battery charge cycle is complete. Overfilling can cause the battery acid to overflow during charging. Neutralize battery acid spills with baking soda and water.

- 3 Install the battery vent caps.
- 4 Charge the battery.
- 5 Check the battery acid level when the charging cycle is complete. Replenish with distilled water to the bottom of the fill tube. Do not overfill.

Transport and Lifting Instructions





Observe and Obey:

- ☑ Genie provides this securement information as a recommendation. Drivers are solely responsible for making sure machines are properly secured and the correct trailer is selected pursuant to US Department of Transportation regulations, other localized regulations, and their company policy.
 - ☑ Genie customers needing to containerize any lift or Genie product should source a qualified freight forwarder with expertise in preparing, loading and securing construction and lifting equipment for international shipment.
 - ☑ Only qualified aerial lift operators should move the machine on or off the truck.
 - ☑ The transport vehicle must be parked on a level surface.
 - ☑ The transport vehicle must be secured to prevent rolling while the machine is being loaded.
 - ☑ Be sure the vehicle capacity, loading surfaces and chains or straps are sufficient to withstand the machine weight. Genie lifts are very heavy relative to their size. See the serial label for the machine weight.
- ☑ The machine must be on a level surface or secured before releasing the brakes.
 - ☑ Do not allow the rails to fall when the snap pins are removed. Maintain a firm grasp on the rails when the rails are lowered.
 - ☑ Do not drive the machine on a slope that exceeds the uphill, downhill or side slope rating. See Driving on a Slope in the Operating Instructions section.
 - ☑ If the slope of the transport vehicle bed exceeds the maximum slope rating, the machine must be loaded and unloaded using a winch as described in the brake release operation.

Transport and Lifting Instructions

Brake Release Operation

- 1 Chock the wheels to prevent the machine from rolling. 
- 2 Be sure the winch line is properly secured to the drive chassis tie points and the path is clear of all obstructions.
- 3 Push in the black brake release knob to open the brake valve. 
- 4 Pump the red brake release pump knob.

After the machine is loaded:

- 1 Chock the wheels to prevent the machine from rolling.
- 2 Pull out the red Emergency Stop button at both the ground and platform controls to the on position, and turn the key switch to the platform position.
- 3 Press and hold the drive/steer function enable switch on the control handle. Move the control handle off center and immediately release it to reset the brakes.
- 4 Push the red Emergency stop button at both the ground and platform controls to the off position.

Towing the Genie GS-1530, GS-1930, GS-2032, GS-2632, GS-3232, GS-2046, GS-2646, GS-3246 or GS-4047 is not recommended. If the machine must be towed, do not exceed 2 mph / 3.2 km/h.

Transport and Lifting Instructions

Securing to Truck or Trailer for Transit

Always use the extension deck lock when the machine is transported.

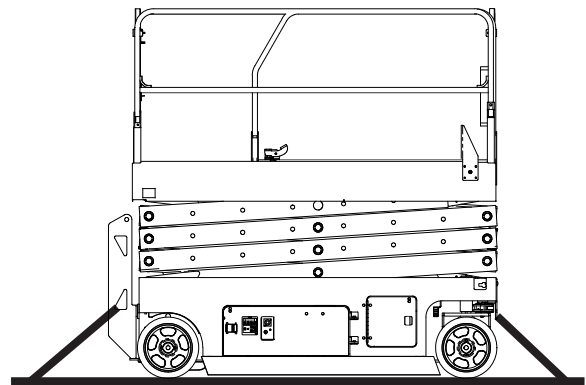
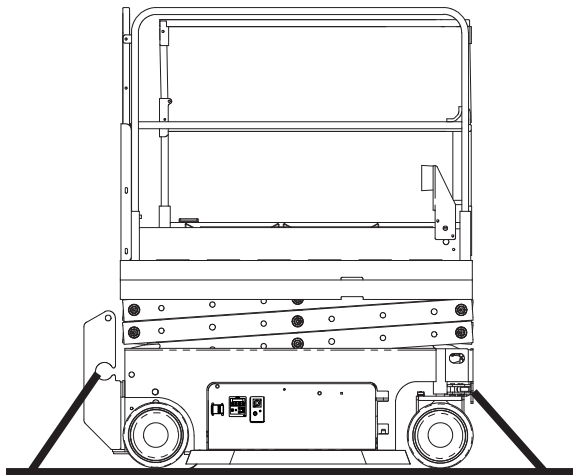
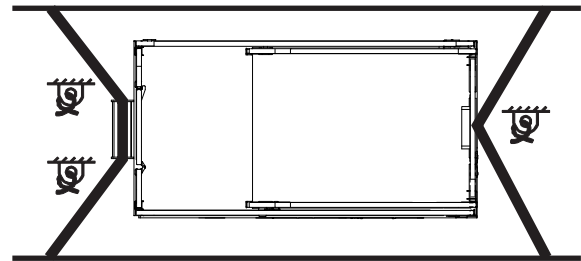
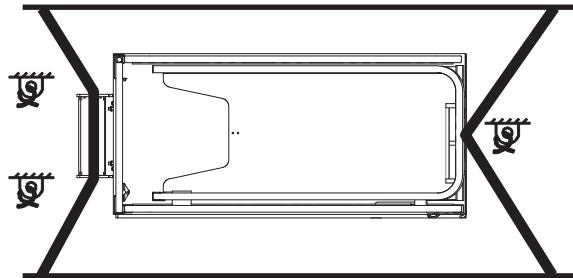
Turn the key switch to the off position and remove the key before transporting.

Inspect the entire machine for loose or unsecured items.

Use chains or straps of ample load capacity.

Use a minimum of 2 chains or straps.

Adjust the rigging to prevent damage to the chains.



GS-1530 GS-1930
GS-1532 GS-1932

GS-2032 GS-2046
GS-2632 GS-2646
GS-3232 GS-3246
GS-4047

Transport and Lifting Instructions



Observe and Obey:

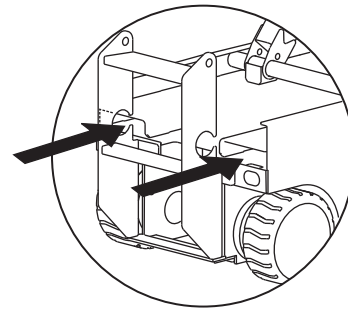
- ☑ Only qualified riggers should rig and lift the machine.
- ☑ Only qualified forklift operators should lift the machine with a forklift.
- ☑ Be sure the crane capacity, loading surfaces and straps or lines are sufficient to withstand the machine weight. See the serial label for the machine weight.

Lifting the Machine with a Forklift

Be sure the extension deck, controls and component trays are secure. Remove all loose items on the machine.

Fully lower the platform. The platform must remain lowered during all loading and transport procedures.

Use the forklift pockets located on both sides of the ladder.



Position the forklift forks in position with the forklift pockets.

Drive forward to the full extent of the forks.

Raise the machine 16 in / 0.4 m and then tilt the forks back slightly to keep the machine secure.

Be sure the machine is level when lowering the forks.

NOTICE

Lifting the machine from the side can result in component damage.

Transport and Lifting Instructions

Lifting Instructions

Fully lower the platform. Be sure the extension deck, controls and component trays are secure. Remove all loose items on the machine.

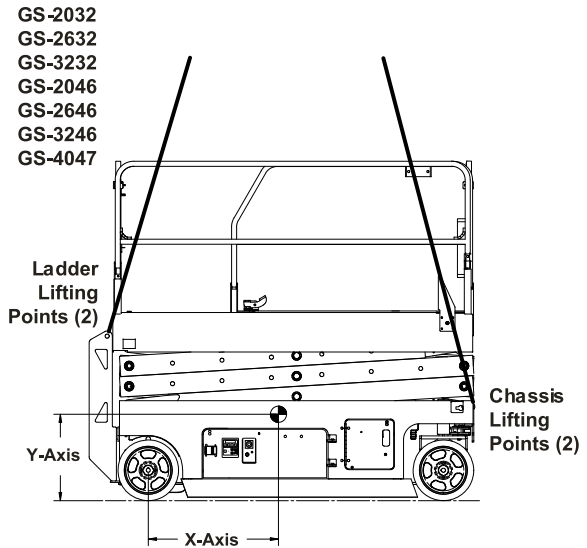
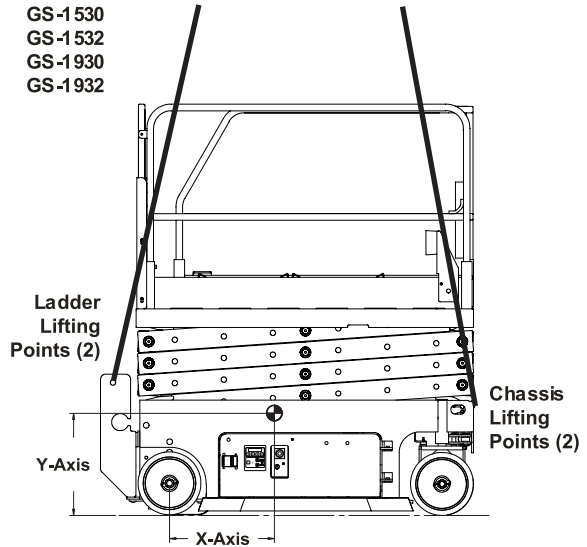
Determine the center of gravity of your machine using the table and the picture on this page.

Attach the rigging only to the designated lifting points on the machine. There are two 2.5 cm holes on the front of the machine and two holes in the ladder for lifting.

Adjust the rigging to prevent damage to the machine and to keep the machine level.

Center of Gravity Table

Model	X Axis	Y Axis
GS-1530	49.8 cm	47.2 cm
GS-1532	49.8 cm	47.2 cm
GS-1930	50.8 cm	49.5 cm
GS-1932	50.8 cm	49.5 cm
GS-2032	80.9 cm	53.9 cm
GS-2632	82.2 cm	59.3 cm
GS-3232	78.7 cm	67.3 cm
GS-2046	82.7 cm	56.8 cm
GS-2646	88.2 cm	56.4 cm
GS-3246	83.7 cm	59.9 cm
GS-4047	85.8 cm	51.5 cm



Maintenance



Observe and Obey:

- ☑ Only routine maintenance items specified in this manual shall be performed by the operator.
- ☑ Scheduled maintenance inspections shall be completed by qualified service technicians, according to the manufacturer's specifications and the requirements specified in the responsibilities manual.
- ☑ Use only Genie approved replacement parts.

Maintenance Symbols Legend

The following symbols have been used in this manual to help communicate the intent of the instructions. When one or more of the symbols appear at the beginning of a maintenance procedure, it conveys the meaning below.



Indicates that tools will be required to perform this procedure.



Indicates that new parts will be required to perform this procedure.

Check the Hydraulic Oil Level



Maintaining the hydraulic oil at the proper level is essential to machine operation. Improper hydraulic oil levels can damage hydraulic components. Daily checks allow the inspector to identify changes in oil level that might indicate the presence of hydraulic system problems.

- 1 Be sure that the machine is on a firm, level surface, free of obstructions, with the platform in the stowed position.
- 2 Visually inspect the oil level in the hydraulic oil tank.
- ⊙ Result: The hydraulic oil level should be between the ADD and FULL marks on the tank.
- 3 Add oil as needed. Do not overfill.

Hydraulic oil specifications

Hydraulic oil type	Chevron Rando HD equivalent
--------------------	-----------------------------

Maintenance

Check the Batteries



Proper battery condition is essential to good machine performance and operational safety. Improper fluid levels or damaged cables and connections can result in component damage and hazardous conditions.

Note: This procedure does not need to be performed on machines with sealed or maintenance-free batteries.

- ▲ **Electrocution hazard.** Contact with hot or live circuits may result in death or serious injury. Remove all rings, watches and other jewelry.
- ▲ **Bodily injury hazard.** Batteries contain acid. Avoid spilling or contacting battery acid. Neutralize battery acid spills with baking soda and water.

Note: Perform this test after fully charging the batteries.

- 1 Put on protective clothing and eye wear.
- 2 Be sure that the battery cable connections are tight and free of corrosion.
- 3 Be sure that the battery hold-down brackets are in place and secure.

Note: Adding terminal protectors and a corrosion preventative sealant will help eliminate the corrosion on the battery terminals and cables.

Scheduled Maintenance

Maintenance performed quarterly, annually and every two years must be completed by a person trained and qualified to perform maintenance on this machine according to the procedures found in the service manual for this machine.

Machines that have been out of service for more than three months must receive the quarterly inspection before they are put back into service.

Specifications

Model	GS-1530	
Height, working maximum	22 ft	6.7 m
Height, platform maximum	16 ft	4.9 m
Height, stowed maximum fixed rail	77 in	196 cm
Height, stowed maximum, rails up	81 in	206 cm
Height, stowed maximum, rails folded	68 in	172 cm
Platform height, stowed maximum	38.2 in	97 cm
Height, guard rails	43 in	109 cm
Width	30 in	76 cm
Length, stowed	72 in	183 cm
Length, platform extended	107 in	272 cm
Platform extension length	35 in	89 cm
Platform dimensions (length x width)	64 x 29 in	164 x 75 cm
Maximum load capacity	600 lbs	272 kg
Maximum wind speed	28 mph	12.5 m/s
Wheelbase	52 in	132 cm
Turning radius (outside)	61 in	155 cm
Turning radius (inside)	0 in	0 cm
Ground clearance	2.4 in	6.1 cm
Ground clearance Pothole guards deployed	0.75 in	1.9 cm
Weight	2594 lbs	1177 kg
(Machine weights vary with option configurations. See serial label for specific machine weight.)		
Power source	4 Batteries, 6V 225AH	
System voltage	24V	
AC outlet in platform	Standard	
Maximum hydraulic pressure (functions)	3500 psi	241 bar
Tire size	12 x 4.5 x 8 in	
Vibration value does not exceed 2.5 m/s ²		

Operating temperature

Minimum	-20°F	-29°C
Maximum	150°F	66°C

Airborne noise emissions

Sound pressure level at ground workstation	<70 dBA
Sound pressure level at platform workstation	<70 dBA

Maximum slope rating, stowed position 30% (17°)

Maximum side slope rating, stowed position 30% (17°)

Note: Slope rating is subject to ground conditions and adequate traction.

Drive speeds

Stowed, maximum	2.5 mph	4.0 km/h
Platform raised, maximum	0.5 mph	0.8 km/h
	40 ft/55 sec	12.2 m/55 sec

Floor loading information, GS-1530

Tire load maximum	1175 lbs	533 kg
Tire contact pressure	131 psi	9.19 kg / cm ² 900 kPa
Occupied floor pressure	238 psf	1162 kg / m ² 11.40 kPa

Note: Floor loading information is approximate and does not incorporate different option configurations. It should be used only with adequate safety factors.

Continuous improvement of our products is a Genie policy. Product specifications are subject to change without notice or obligation.

Specifications

Model	GS-1930	
Height, working maximum	25.1 ft	7.7 m
Height, platform maximum	19.1 ft	5.8 m
Height, stowed maximum fixed rail	79 in	199 cm
Height, stowed maximum, rails up	83 in	210 cm
Height, stowed maximum, rails folded	69 in	175 cm
Platform height, stowed maximum	39.5 in	100 cm
Height, guard rails	43 in	109 cm
Width	30 in	76 cm
Length, stowed	72 in	183 cm
Length, platform extended	107 in	272 cm
Platform extension length	35 in	89 cm
Platform dimensions (length x width)	64 x 29 in	164 x 75 cm
Maximum load capacity	500 lbs	227 kg
Maximum wind speed	28 mph	12.5 m/s
Wheelbase	52 in	132 cm
Turning radius (outside)	61 in	155 cm
Turning radius (inside)	0 in	0 cm
Ground clearance	2.4 in	6.1 cm
Ground clearance Pothole guards deployed	0.75 in	1.9 cm
Weight	2748 lbs	1246 kg
(Machine weights vary with option configurations. See serial label for specific machine weight.)		
Power source	4 Batteries, 6V 225AH	
System voltage	24V	
AC outlet in platform	Standard	
Maximum hydraulic pressure (functions)	3500 psi	241 bar
Tire size	12 x 4.5 x 8 in	
Vibration value does not exceed 2.5 m/s ²		

Operating temperature

Minimum	-20°F	-29°C
Maximum	150°F	66°C

Airborne noise emissions

Sound pressure level at ground workstation	<70 dBA
Sound pressure level at platform workstation	<70 dBA

Maximum slope rating, stowed position 25% (14°)

Maximum side slope rating, stowed position 25% (14°)

Note: Slope rating is subject to ground conditions and adequate traction.

Drive speeds

Stowed, maximum	2.5 mph	4.0 km/h
Platform raised, maximum	0.5 mph	0.8 km/h
	40 ft/55 sec	12.2 m/55 sec

Floor loading information, GS-1930

Tire load maximum	1302 lbs	591 kg
Tire contact pressure	145 psi	10.18 kg / cm ² 998 kPa
Occupied floor pressure	240 psf	1172 kg / m ² 11.50 kPa

Note: Floor loading information is approximate and does not incorporate different option configurations. It should be used only with adequate safety factors.

Continuous improvement of our products is a Genie policy. Product specifications are subject to change without notice or obligation.

Specifications

Model	GS-2032	
Height, working maximum	26 ft	7.9 m
Height, platform maximum	20 ft	6.1 m
Height, stowed maximum fixed rail	80 in	202 cm
Height, stowed maximum, rails up	84 in	212 cm
Height, stowed maximum, rails folded	70 in	178 cm
Platform height, stowed maximum	40.5 in	103 cm
Height, guard rails	43 in	109 cm
Width	32 in	81 cm
Length, stowed	96 in	244 cm
Length, platform extended	131 in	333 cm
Platform extension length	35 in	89 cm
Platform dimensions (length x width)	89 x 32 in	226 x 81 cm
Maximum load capacity	800 lbs	363 kg
Maximum wind speed	28 mph	12.5 m/s
Wheelbase	73 in	185 cm
Turning radius (outside)	84 in	212 cm
Turning radius (inside)	0 in	0 cm
Ground clearance	3.5 in	8.9 cm
Ground clearance Pothole guards deployed	0.88 in	2.2 cm
Weight	3554 lbs	1612 kg
(Machine weights vary with option configurations. See serial label for specific machine weight.)		
Power source	4 Batteries, 6V 225AH	
System voltage	24V	
AC outlet in platform	Standard	
Maximum hydraulic pressure (functions)	3500 psi	241 bar
Tire size	15 x 5 x 11.25 in	
Vibration value does not exceed 2.5 m/s ²		

Operating temperature

Minimum	-20°F	-29°C
Maximum	150°F	66°C

Airborne noise emissions

Sound pressure level at ground workstation	<70 dBA
Sound pressure level at platform workstation	<70 dBA

Maximum slope rating, stowed position 30% (17°)

Maximum side slope rating, stowed position 30% (17°)

Note: Slope rating is subject to ground conditions and adequate traction.

Drive speeds

Stowed, maximum	2.2 mph	3.5 km/h
Platform raised, maximum	0.5 mph	0.8 km/h
	40 ft/54 sec	12.2 m/54 sec

Floor loading information, GS-2032

Tire load maximum	1699 lbs	771 kg
Tire contact pressure	113 psi	7.97 kg / cm ² 781 kPa
Occupied floor pressure	223 psf	1088 kg / m ² 10.66 kPa

Note: Floor loading information is approximate and does not incorporate different option configurations. It should be used only with adequate safety factors.

Continuous improvement of our products is a Genie policy. Product specifications are subject to change without notice or obligation.

Specifications

Model	GS-2632	
Height, working maximum	32 ft	9.8 m
Height, platform maximum	26 ft	7.9 m
Height, stowed maximum	89 in	225 cm
Height, stowed maximum, rails folded	75 in	191 cm
Platform height, stowed maximum	45.5 in	116 cm
Height, guard rails	43 in	109 cm
Width	32 in	81 cm
Length, stowed	96 in	244 cm
Length, platform extended	131 in	333 cm
Platform extension length	35 in	89 cm
Platform dimensions (length x width)	89 x 32 in	226 x 81 cm
Maximum load capacity	500 lbs	227 kg
Maximum wind speed	28 mph	12.5 m/s
Wheelbase	73 in	185 cm
Turning radius (outside)	84 in	212 cm
Turning radius (inside)	0 in	0 cm
Ground clearance	3.5 in	8.9 cm
Ground clearance Pothole guards deployed	0.88 in	2.2 cm
Weight	4407 lbs	1999 kg
(Machine weights vary with option configurations. See serial label for specific machine weight.)		
Power source	4 Batteries, 6V 225AH	
System voltage	24V	
AC outlet in platform	Standard	
Maximum hydraulic pressure (functions)	3500 psi	241 bar
Tire size	15 x 5 x 11.25 in	
Vibration value does not exceed 2.5 m/s ²		

Operating temperature

Minimum	-20°F	-29°C
Maximum	150°F	66°C

Airborne noise emissions

Sound pressure level at ground workstation	<70 dBA
Sound pressure level at platform workstation	<70 dBA

Maximum slope rating, stowed position 25% (14°)

Maximum side slope rating, stowed position 25% (14°)

Note: Slope rating is subject to ground conditions and adequate traction.

Drive speeds

Stowed, maximum	2.2 mph	3.5 km/h
Platform raised, maximum	0.5 mph	0.8 km/h
	40 ft/54 sec	12.2 m/54 sec

Floor loading information, GS-2632

Tire load maximum	1773 lbs	804 kg
Tire contact pressure	118 psi	8.32 kg / cm ² 815 kPa
Occupied floor pressure	251 psf	1225 kg / m ² 12.01 kPa

Note: Floor loading information is approximate and does not incorporate different option configurations. It should be used only with adequate safety factors.

Continuous improvement of our products is a Genie policy. Product specifications are subject to change without notice or obligation.

Specifications

Model	GS-3232	
Height, working maximum	37.9 ft	11.6 m
Height, working drivable	28 ft	8.5 m
Height, platform maximum	31.9 ft	9.7 m
Height, platform drivable	22 ft	6.7 m
Height, stowed maximum	94 in	238 cm
Height, stowed maximum, rails folded	80 in	204 cm
Platform height, stowed maximum	50.75 in	129 cm
Height, guard rails	43 in	109 cm
Width	32 in	81 cm
Length, stowed	96 in	244 cm
Length, platform extended	131 in	333 cm
Platform extension length	35 in	89 cm
Platform dimensions (length x width)	89 x 32 in	226 x 81 cm
Maximum load capacity	500 lbs	227 kg
Maximum wind speed	28 mph	12.5 m/s
Wheelbase	73 in	185 cm
Turning radius (outside)	84 in	212 cm
Turning radius (inside)	0 in	0 cm
Ground clearance	3.5 in	8.9 cm
Ground clearance Pothole guards deployed	0.88 in	2.2 cm
Weight	5185 lbs	2352 kg
(Machine weights vary with option configurations. See serial label for specific machine weight.)		
Power source	4 Batteries, 6V 225AH	
System voltage	24V	
AC outlet in platform	Standard	
Maximum hydraulic pressure (functions)	3500 psi	241 bar
Tire size	15 x 5 x 11.25 in	
Vibration value does not exceed 2.5 m/s ²		

Operating temperature

Minimum	-20°F	-29°C
Maximum	150°F	66°C

Airborne noise emissions

Sound pressure level at ground workstation	<70 dBA
Sound pressure level at platform workstation	<70 dBA

Maximum slope rating, stowed position 25% (14°)

Maximum side slope rating, stowed position 25% (14°)

Note: Slope rating is subject to ground conditions and adequate traction.

Drive speeds

Stowed, maximum	2.2 mph	3.5 km/h
Platform raised, maximum	0.5 mph	0.8 km/h
	40 ft/54 sec	12.2 m/54 sec

Floor loading information, GS-3232

Tire load maximum	1700 lbs	771 kg
Tire contact pressure	113 psi	7.98 kg / cm ² 781 kPa
Occupied floor pressure	291 psf	1420 kg / m ² 13.92 kPa
Maximum outrigger pad pressure	179 psi	1234 kPa 12.6 kg / cm ²

Note: Floor loading information is approximate and does not incorporate different option configurations. It should be used only with adequate safety factors.

Continuous improvement of our products is a Genie policy. Product specifications are subject to change without notice or obligation.

Specifications

Model	GS-2046	
Height, working maximum	26 ft	7.9 m
Height, platform maximum	20 ft	6.1 m
Height, stowed maximum	84 in	213 cm
Height, stowed maximum, rails folded	61 in	156 cm
Platform height, stowed maximum	40.8 in	104 cm
Height, guard rails	43 in	109 cm
Width	46 in	116 cm
Length, stowed	96 in	244 cm
Length, platform extended	131 in	333 cm
Platform extension length	35 in	89 cm
Platform dimensions (length x width)	89 x 45.5 in	226 x 116 cm
Maximum load capacity	1200 lbs	544 kg
Maximum wind speed	28 mph	12.5 m/s
Wheelbase	73 in	185 cm
Turning radius (outside)	90 in	229 cm
Turning radius (inside)	0 in	0 cm
Ground clearance	3.8 in	9.5 cm
Ground clearance Pothole guards deployed	0.75 in	1.9 cm
Weight	3883 lbs	1761 kg
(Machine weights vary with option configurations. See serial label for specific machine weight.)		
Power source	4 Batteries, 6V 225AH	
System voltage	24V	
AC outlet in platform	Standard	
Maximum hydraulic pressure (functions)	3500 psi	241 bar
Tire size	15 x 5 x 11.25 in	
Vibration value does not exceed 2.5 m/s ²		

Operating temperature

Minimum	-20°F	-29°C
Maximum	150°F	66°C

Airborne noise emissions

Sound pressure level at ground workstation	<70 dBA
Sound pressure level at platform workstation	<70 dBA

Maximum slope rating, stowed position 30% (17°)

Maximum side slope rating, stowed position 30% (17°)

Note: Slope rating is subject to ground conditions and adequate traction.

Drive speeds

Stowed, maximum	2.2 mph	3.5 km/h
Platform raised, maximum	0.5 mph	0.8 km/h
	40 ft/54 sec	12.2 m/54 sec

Floor loading information, GS-2046

Tire load maximum	2035 lbs	923 kg
Tire contact pressure	136 psi	9.55 kg / cm ² 936 kPa
Occupied floor pressure	181 psf	883 kg / m ² 8.66 kPa

Note: Floor loading information is approximate and does not incorporate different option configurations. It should be used only with adequate safety factors.

Continuous improvement of our products is a Genie policy. Product specifications are subject to change without notice or obligation.

Specifications

Model	GS-2646	
Height, working maximum	32 ft	9.8 m
Height, platform maximum	26 ft	7.9 m
Height, stowed maximum	89 in	225 cm
Height, stowed maximum, rails folded	66 in	168 cm
Platform height, stowed maximum	45.6 in	116 cm
Height, guard rails	43 in	109 cm
Width	46 in	116 cm
Length, stowed	96 in	244 cm
Length, platform extended	131 in	333 cm
Platform extension length	35 in	89 cm
Platform dimensions (length x width)	89 x 45.5 in	226 x 116 cm
Maximum load capacity	1000 lbs	454 kg
Maximum wind speed	28 mph	12.5 m/s
Wheelbase	73 in	185 cm
Turning radius (outside)	90 in	229 cm
Turning radius (inside)	0 in	0 cm
Ground clearance	3.8 in	9.5 cm
Ground clearance Pothole guards deployed	0.75 in	1.9 cm
Weight	4207 lbs	1908 kg
(Machine weights vary with option configurations. See serial label for specific machine weight.)		
Power source	4 Batteries, 6V 225AH	
System voltage	24V	
AC outlet in platform	Standard	
Maximum hydraulic pressure (functions)	3500 psi	241 bar
Tire size	15 x 5 x 11.25 in	
Vibration value does not exceed 2.5 m/s ²		

Operating temperature

Minimum	-20°F	-29°C
Maximum	150°F	66°C

Airborne noise emissions

Sound pressure level at ground workstation	<70 dBA
Sound pressure level at platform workstation	<70 dBA

Maximum slope rating, stowed position 30% (17°)

Maximum side slope rating, stowed position 30% (17°)

Note: Slope rating is subject to ground conditions and adequate traction.

Drive speeds

Stowed, maximum	2.2 mph	3.5 km/h
Platform raised, maximum	0.5 mph	0.8 km/h
	40 ft/54 sec	12.2 m/54 sec

Floor loading information, GS-2646

Tire load maximum	2150 lbs	975 kg
Tire contact pressure	143 psi	10.09 kg / cm ² 988 kPa
Occupied floor pressure	185 psf	903 kg / m ² 8.87 kPa

Note: Floor loading information is approximate and does not incorporate different option configurations. It should be used only with adequate safety factors.

Continuous improvement of our products is a Genie policy. Product specifications are subject to change without notice or obligation.

Specifications

Model	GS-3246	
Height, working maximum	37.9 ft	11.6 m
Height, platform maximum	31.9 ft	9.7 m
Height, stowed maximum	94 in	238 cm
Height, stowed maximum, rails folded	71 in	181 cm
Platform height, stowed maximum	50.75 in	129 cm
Height, guard rails	43 in	109 cm
Width	46 in	116 cm
Length, stowed	96 in	244 cm
Length, platform extended	131 in	333 cm
Platform extension length	35 in	89 cm
Platform dimensions (length x width)	89 x 45.5 in	226 x 116 cm
Maximum load capacity	700 lbs	318 kg
Maximum wind speed	28 mph	12.5 m/s
Wheelbase	73 in	185 cm
Turning radius (outside)	90 in	229 cm
Turning radius (inside)	0 in	0 cm
Ground clearance	3.8 in	9.5 cm
Ground clearance Pothole guards deployed	0.75 in	1.9 cm
Weight	5143 lbs	2333 kg
(Machine weights vary with option configurations. See serial label for specific machine weight.)		
Power source	4 Batteries, 6V 225AH	
System voltage	24V	
AC outlet in platform	Standard	
Maximum hydraulic pressure (functions)	3500 psi	241 bar
Tire size	15 x 5 x 11.25 in	
Vibration value does not exceed 2.5 m/s ²		

Operating temperature

Minimum	-20°F	-29°C
Maximum	150°F	66°C

Airborne noise emissions

Sound pressure level at ground workstation	<70 dBA
Sound pressure level at platform workstation	<70 dBA

Maximum slope rating, stowed position 25% (14°)

Maximum side slope rating, stowed position 25% (14°)

Note: Slope rating is subject to ground conditions and adequate traction.

Drive speeds

Stowed, maximum	2.2 mph	3.5 km/h
Platform raised, maximum	0.5 mph	0.8 km/h
	40 ft/54 sec	12.2 m/54 sec

Floor loading information, GS-3246

Tire load maximum	2251 lbs	1021 kg
Tire contact pressure	150 psi	10.56 kg / cm ² 1035 kPa
Occupied floor pressure	208 psf	1015 kg / m ² 9.95 kPa

Note: Floor loading information is approximate and does not incorporate different option configurations. It should be used only with adequate safety factors.

Continuous improvement of our products is a Genie policy. Product specifications are subject to change without notice or obligation.

Specifications

Model	GS-4047	
Height, working maximum	45 ft	13.7 m
Height, platform maximum	39 ft	11.9 m
Height, stowed maximum	100 in	254 cm
Height, stowed maximum, rails folded	77 in	195 cm
Platform height, stowed maximum	56.3 in	143 cm
Height, guard rails	43 in	109 cm
Width	47 in	119 cm
Length, stowed	98 in	248 cm
Length, platform extended	133 in	338 cm
Platform extension length	35 in	89 cm
Platform dimensions (length x width)	89 x 45.5 in	226 x 116 cm
Maximum load capacity	550 lbs	250 kg
Maximum wind speed	28 mph	12.5 m/s
Wheelbase	73 in	185 cm
Turning radius (outside)	91 in	231 cm
Turning radius (inside)	0 in	0 cm
Ground clearance	3.8 in	9.5 cm
Ground clearance Pothole guards deployed	0.75 in	1.9 cm
Weight	7181 lbs	3260 kg
(Machine weights vary with option configurations. See serial label for specific machine weight.)		
Power source	4 Batteries, 12V 115AH	
System voltage	24V	
AC outlet in platform	Standard	
Maximum hydraulic pressure (functions)	3500 psi	241 bar
Tire size	15 x 5 x 11.25 in	
Vibration value does not exceed 2.5 m/s ²		

Operating temperature

Minimum	-20°F	-29°C
Maximum	150°F	66°C

Airborne noise emissions

Sound pressure level at ground workstation	<70 dBA
Sound pressure level at platform workstation	<70 dBA

Maximum slope rating, stowed position 25% (14°)

Maximum side slope rating, stowed position 25% (14°)

Note: Slope rating is subject to ground conditions and adequate traction.

Drive speeds

Stowed, maximum	2.0 mph	3.2 km/h
Platform raised, maximum	0.5 mph	0.8 km/h
	40 ft/54 sec	12.2 m/54 sec

Floor loading information, GS-4047

Tire load maximum	2621 lbs	1189 kg
Tire contact pressure	174.8 psi	12.30 kg / cm ² 1205 kPa
Occupied floor pressure	270 psf	1318 kg / m ² 12.91 kPa

Note: Floor loading information is approximate and does not incorporate different option configurations. It should be used only with adequate safety factors.

Continuous improvement of our products is a Genie policy. Product specifications are subject to change without notice or obligation.

California Proposition 65



Operating, servicing and maintaining this equipment can expose you to chemicals including engine exhaust, carbon monoxide, phthalates, and lead, which are known to the State of California to cause cancer and birth defects or other reproductive harm. These chemicals can be emitted from or contained in other various parts and systems, fluids and some component wear by-products. To minimize exposure, avoid breathing exhaust, do not idle the engine except as necessary, service your equipment and vehicle in a well-ventilated area and wear gloves or wash your hands frequently when servicing your equipment or vehicle and after operation. For more information go to www.P65Warnings.ca.gov/passenger-vehicle.